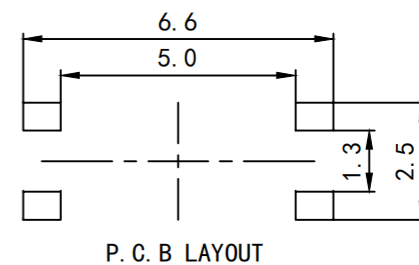
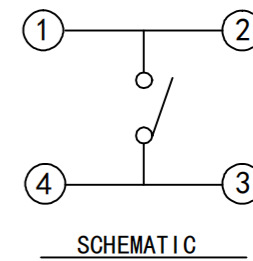
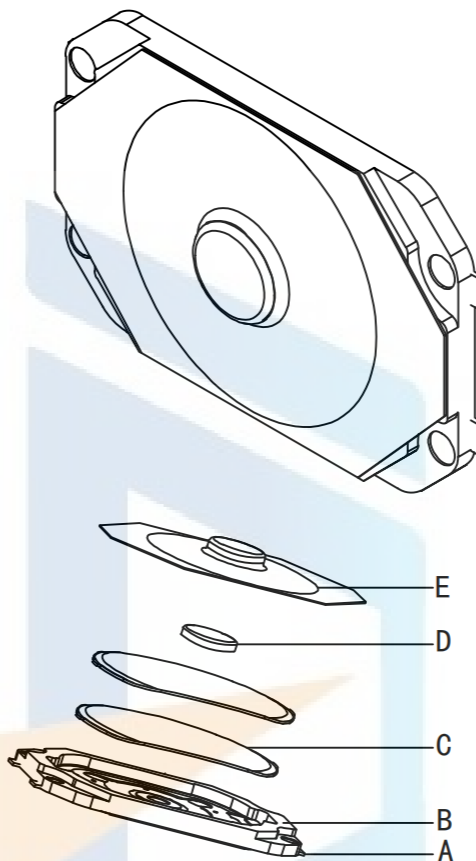
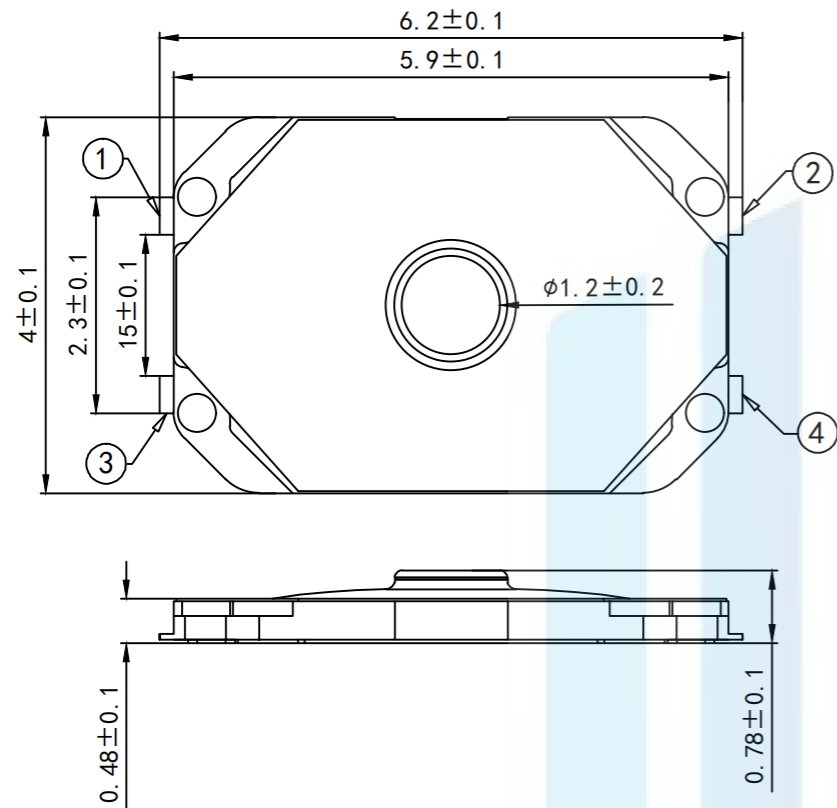

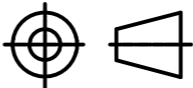


RoHS2.0  
Compliant



Remarks:

1. Climate rating:  $-30^{\circ}\text{C}$  +  $80^{\circ}\text{C}$
2. Rating: Max50 mA12V DC MIN10  $\mu$ A12V DC
3. Withstand voltage: 100V. AC. 1Min
4. Insulation resistance:  $\geq 100\text{M}\Omega$
5. Press pressure:  $250 \pm 30\text{gf}$
6. Travel: 0.22mm
7. Life: 1,000,000 times

TOLERANCE	X. XXX	$\pm 0.05$		东莞市恒祺电子科技有限公司	
	X. XX	$\pm 0.15$		Dongguan Hengqi Electronic Technology Co., Ltd	
X. X	$\pm 0.20$		<a href="https://www.hq-dz.com">https://www.hq-dz.com</a>		phone:15812872448
X.	$\pm 0.30$		TITLE: 薄膜轻触开关		PART NO:HQ-TS-C023
ANGLE	$\pm 5.0^{\circ}$				DRAWING NO:4.0*7.0*0.78
PROTECTON 	DRAWN:		DATE:	18-10-08	UNIT: mm
	CHECKED:		DATE:	18-10-08	SCALE: FULL
	APPROVED:		DATE:	18-10-08	SIZE: A4