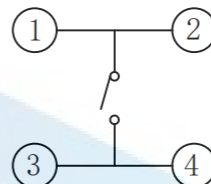
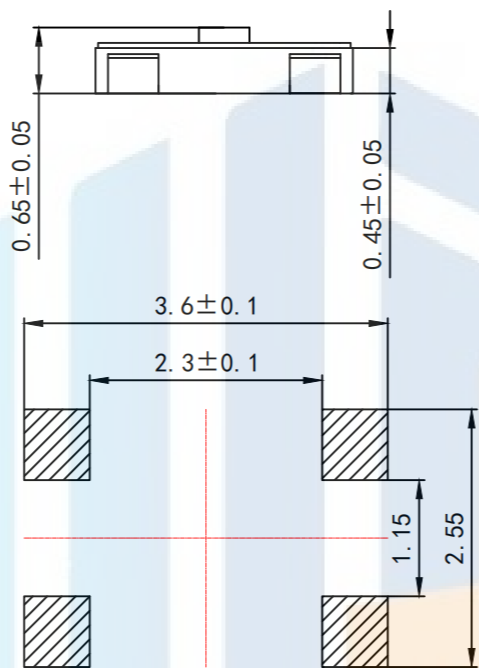
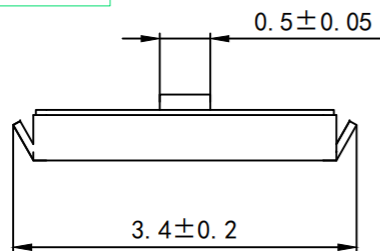
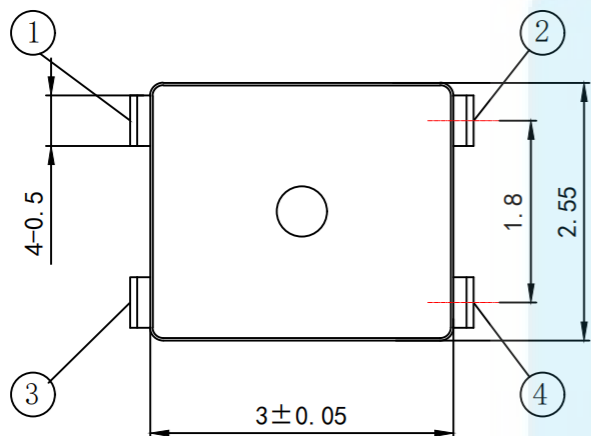


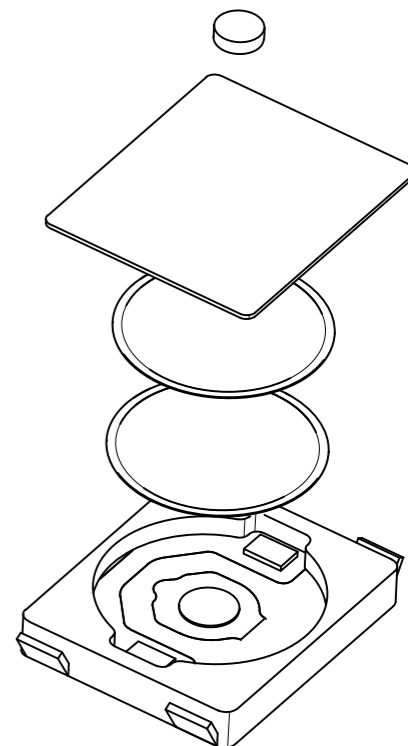
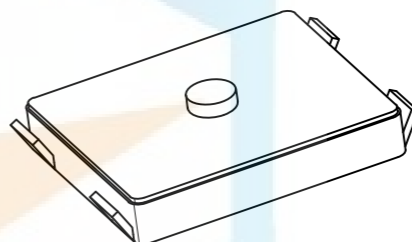
RoHS2.0
Compliant



电路图



PCB. 焊接图



Key Technical Specifications:

1. Rating: 50mA DC12V
2. Contact resistance: $\leq 100m\Omega$
3. Operating force: $200 \pm 50gf$
4. Itinerary: $0.20 \pm 0.1mm$
5. Insulation resistance: $\geq 100M\Omega$
6. Electrical strength: 250V 50HZ 1Min.
7. life span: 100,000 Cycles

TOLERANCE X. XXX ± 0.05 X. XX ± 0.15 X. X ± 0.20 X. ± 0.30 ANGLE $\pm 5.0^\circ$		东莞市恒祺电子科技有限公司 Dongguan Hengqi Electronic Technology Co., Ltd	
		https://www.hq-dz.com phone: 15812872448	
PROTECTON 	TITLE: 薄膜轻触开关		PART NO: HQ-TS-A014
	DRAWN:		DRAWING NO: 2.6*3*0.6 U脚
	CHECKED:	DATE: 18-10-08	UNIT: mm
APPROVED:	DATE: 18-10-08	SCALE: FULL	
	DATE: 18-10-08	SIZE: A4	