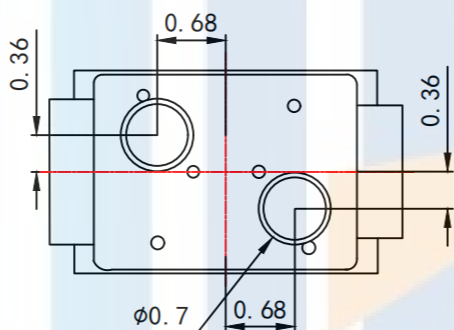
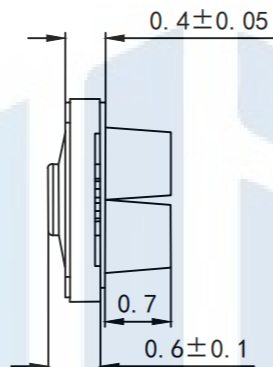
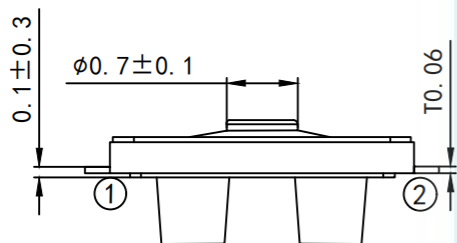
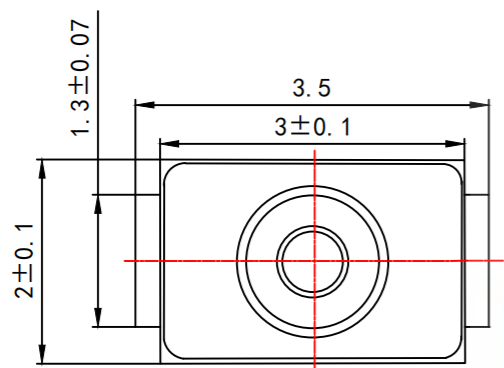
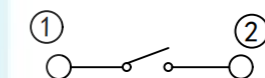
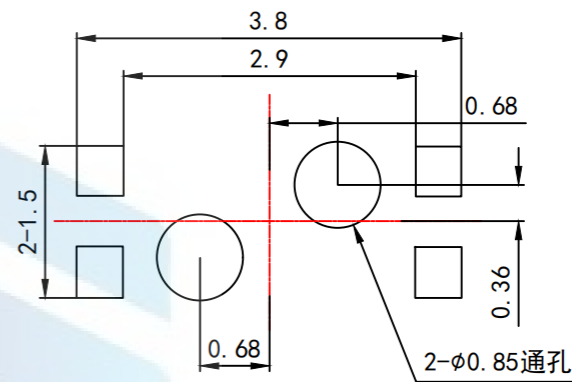


RoHS2.0
Compliant



PCB. layout



Circuit Diagram

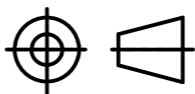
Technical standard

1. Climate rating: $-30^{\circ}\text{C}+80^{\circ}\text{C}$
2. Rating: Max50 mA12V min10 $\mu\text{A}12\text{V DC}$
3. Contact resistance: $\leq 50\text{m}\Omega$
4. Withstand voltage: 100V.AC.1Min
5. Insulation resistance: $\geq 100\text{M}\Omega$
6. Press pressure: $300\pm 50\text{gf}$
- 7 stroke: 0.18 ± 0.05
8. Life: 300,000 times

TOLERANCE

X. XXX	± 0.05
X. XX	± 0.15
X. X	± 0.20
X.	± 0.30
ANGLE	$\pm 5.0^{\circ}$

PROTECTON



东莞市恒祺电子科技有限公司
Dongguan Hengqi Electronic Technology Co., Ltd

<https://www.hq-dz.com>

phone:15812872448

TITLE:

薄膜轻触开关

PART NO:HQ-TS-A003A

DRAWING NO:3*2*0.6带定位

DRAWN:

DATE: 18-10-08

UNIT:
mm

CHECKED:

DATE: 18-10-08

SCALE:
FULL

APPROVED:

DATE: 18-10-08

SIZE:
A4