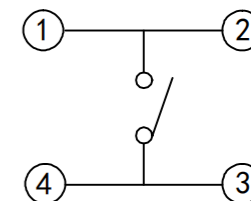
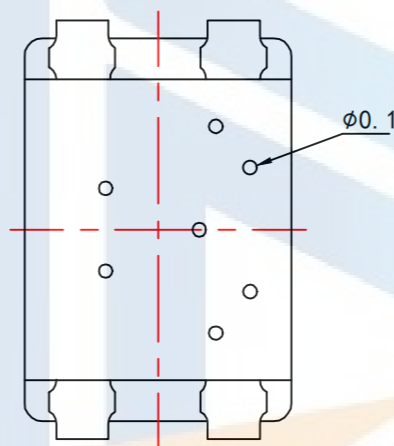
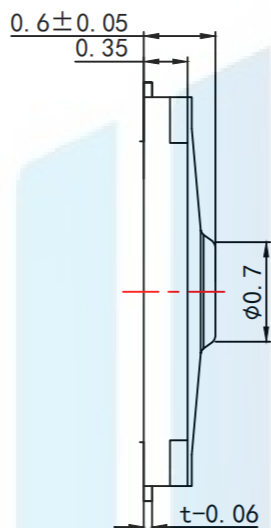
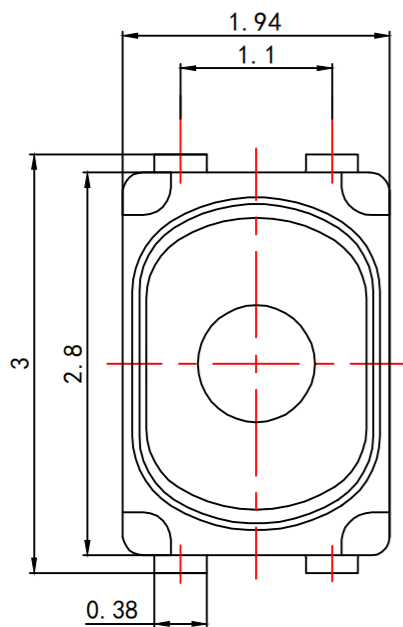
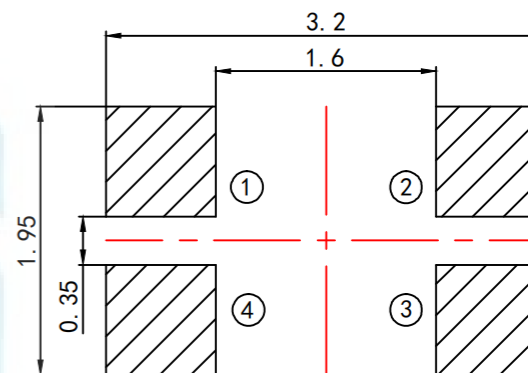


RoHS2.0
Compliant




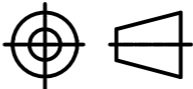
CIRCUIT DIAGRAM



Recommended PAD Layout

Remarks:

1. Rated current、 Voltage: DC 12V 50mA
2. Contact resistance: <100m Q
3. Insulation resistance: >100M.
4. The intensity of operations: 200±50gf
5. Life requirements: 100,000次
6. Withstand voltage: AC 250V 1分钟
7. All materials comply with RoHS standards

TOLERANCE X. XXX ±0.05 X. XX ±0.15 X. X ±0.20 X. ±0.30 ANGLE ±5.0°	 东莞市恒祺电子科技有限公司 Dongguan Hengqi Electronic Technology Co., Ltd	https://www.hq-dz.com		phone:15812872448	
		TITLE: 薄膜轻触开关		PART NO:HQ-TS-2819	
PROTECTON 	DRAWN:		DATE:	18-10-08	UNIT: mm
	CHECKED:		DATE:	18-10-08	SCALE: FULL
	APPROVED:		DATE:	18-10-08	SIZE: A4