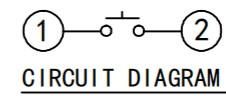
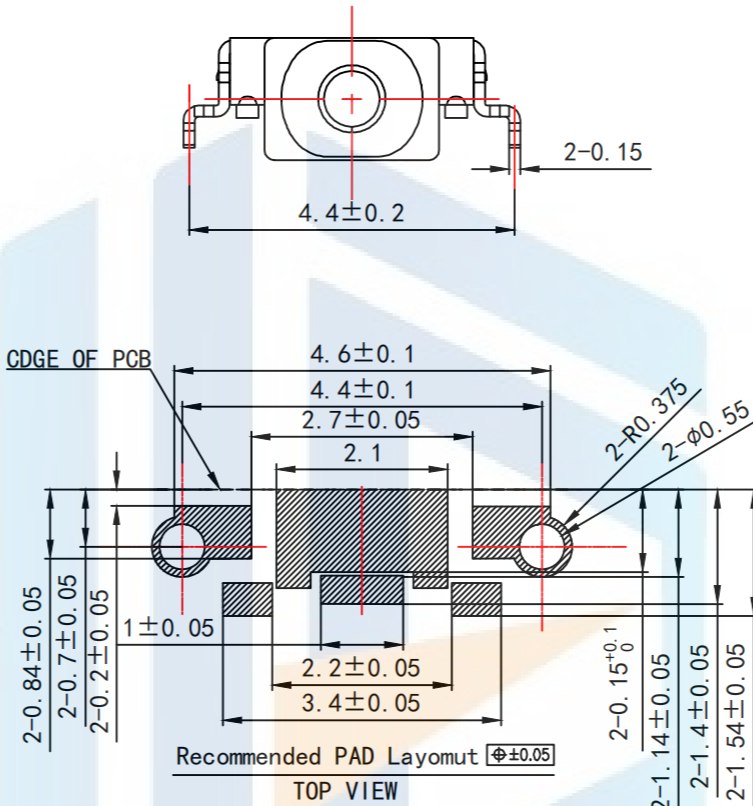
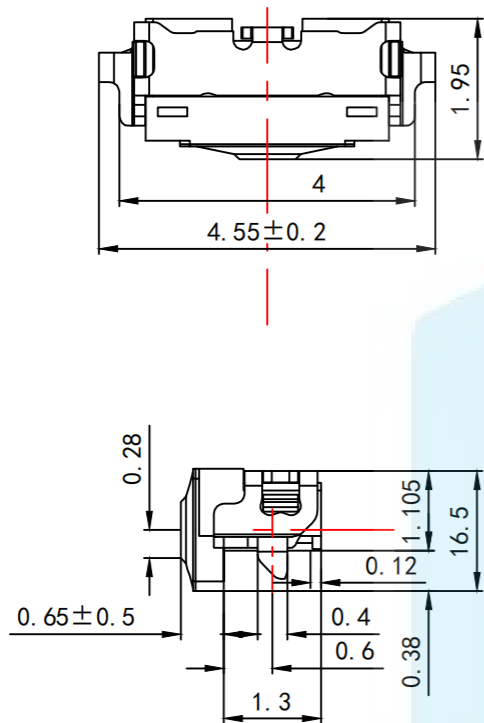


RoHS2.0  
Compliant



Remarks:

1. Operating Temperature: -40C~85C
2. Rated current、Voltage : DC 12V 50mA
3. Contact resistance : <100m2
4. Insulation resistance: >100M2
5. The intensity of operations: 160 ± 50gf
6. Open and close the trip: 0.15 ± 0.05mm
7. Life requirements: 300,000
8. Withstand voltage: DC 2V 10uA
9. Package: 5000Pcs/Reel
10. All materials comply with RoHS standards

<b>TOLERANCE</b> X. XXX ±0.05 X. XX ±0.15 X. X ±0.20 X. ±0.30 ANGLE ±5.0°		<b>东莞市恒祺电子科技有限公司</b> Dongguan Hengqi Electronic Technology Co., Ltd	
		<a href="https://www.hq-dz.com">https://www.hq-dz.com</a> phone:15812872448	
<b>PROTECTON</b> 	<b>TITLE:</b> 薄膜轻触开关		<b>PART NO:</b> HQ-TS-2616沉板支架
	<b>DRAWN:</b>		<b>DRAWING NO:</b> 1.95*4.5*16.5
	<b>CHECKED:</b>	<b>DATE:</b> 18-10-08	<b>UNIT:</b> mm
<b>APPROVED:</b>	<b>DATE:</b> 18-10-08	<b>SCALE:</b> FULL	
		<b>DATE:</b> 18-10-08	<b>SIZE:</b> A4