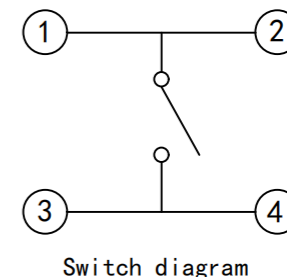
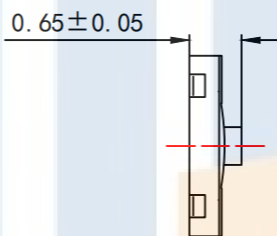
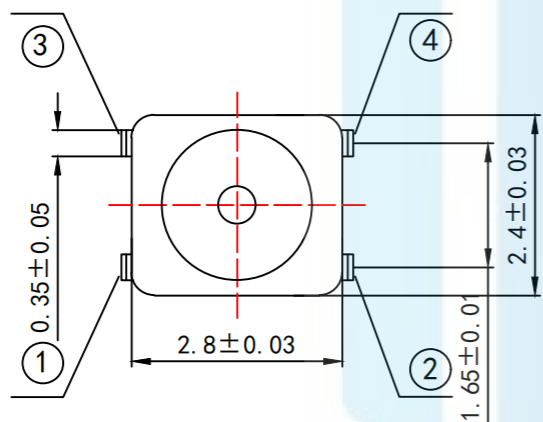
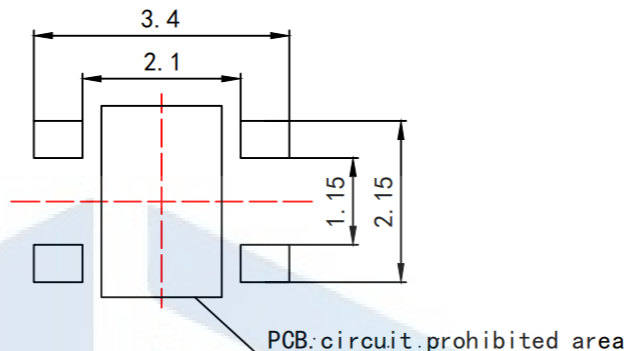
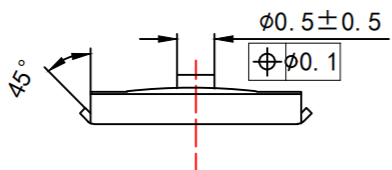


RoHS2.0
Compliant



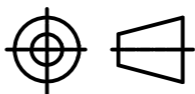
SPECIFICATIONS

1. Operating temperature range: -30 to 85°C
2. Rating: DC12V 50mA
3. Insulation resistance: 100MΩ min 100V DC
4. Dielectric strength: 250V AC for 1min.
5. Contact resistance: 100mΩ Max
6. Operating force: 200 ± 50gf
7. Travel: 0.15 ± 0.05mm
8. Operating life: 200gf100,000 Cycle

TOLERANCE

X. XXX	±0.05
X. XX	±0.15
X. X	±0.20
X.	±0.30
ANGLE	±5.0°

PROTECTON



东莞市恒祺电子科技有限公司
Dongguan Hengqi Electronic Technology Co., Ltd

<https://www.hq-dz.com> phone: 15812872448

TITLE:
薄膜轻触开关

PART NO: HQ-TS-2428U脚

DRAWING NO: 2.4*2.8*0.6

DRAWN:

DATE: 18-10-08

UNIT:
mm

CHECKED:

DATE: 18-10-08

SCALE:
FULL

APPROVED:

DATE: 18-10-08

SIZE:
A4