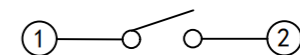
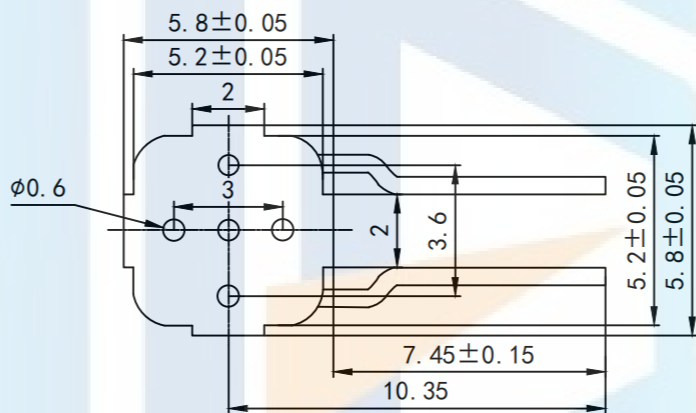
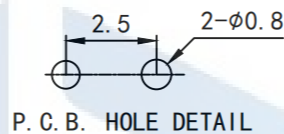
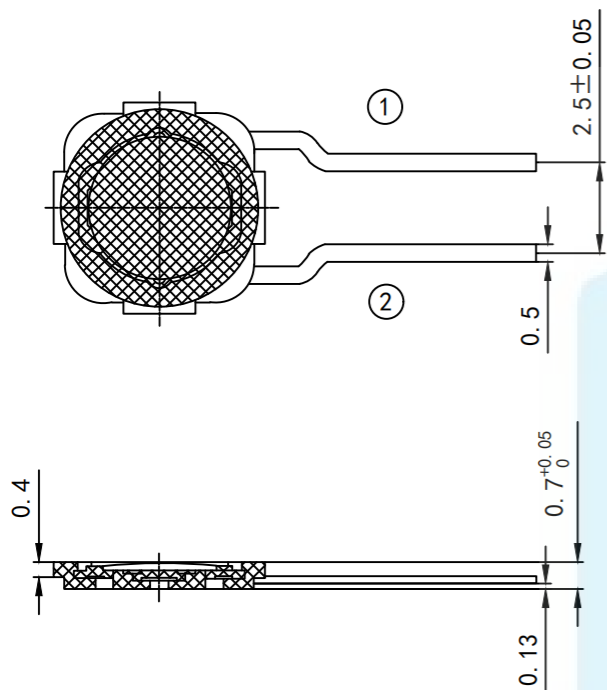
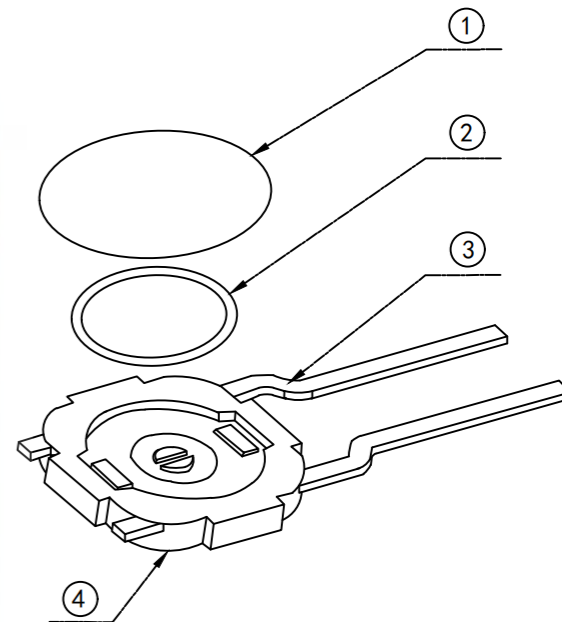


RoHS2.0  
Compliant ✓



SCHEMATIC



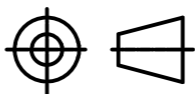
Technical parameter

1. Rated load: DC 12V 50mA
2. Contact resistance: 100mΩ Max
3. Operation force: 80±30gf
4. Life: ≥3000 Cycles
5. Stroke: 0.15±0.05mm

TOLERANCE

X. XXX	±0.05
X. XX	±0.15
X. X	±0.20
X.	±0.30
ANGLE	±5.0°

PROTECTON



东莞市恒祺电子科技有限公司

Dongguan Hengqi Electronic Technology Co., Ltd

<https://www.hq-dz.com>

phone: 15812872448

TITLE:

薄膜轻触开关  
边二脚长脚

PART NO: HQ-TS-C007

DRAWING NO: 5.2\*5.2\*0.7

DRAWN:

CHECKED:

APPROVED:

DATE:

DATE:

DATE:

18-10-08

18-10-08

18-10-08

UNIT:  
mm

SCALE:  
FULL

SIZE:  
A4