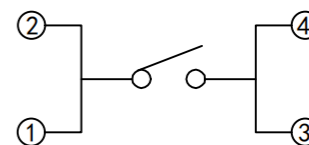
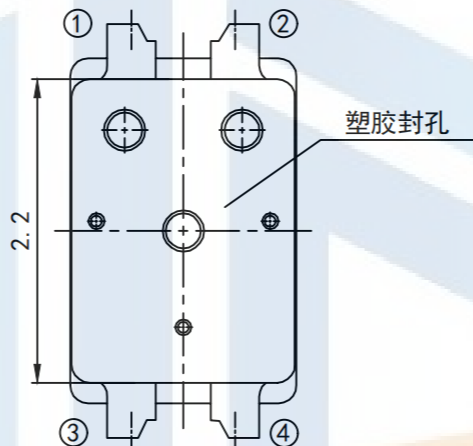
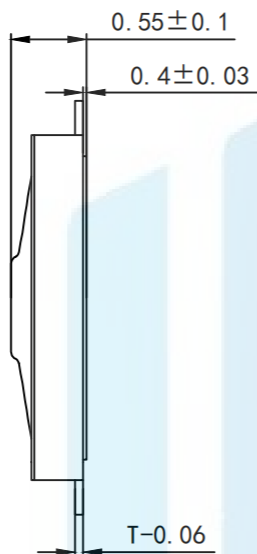
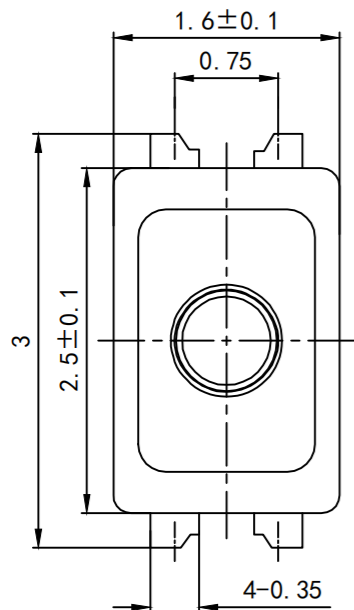
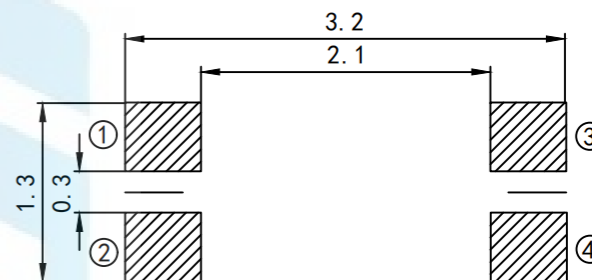


RoHS2.0
Compliant



Circuit Diagram



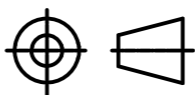
Remarks:

1. Rated current、Voltage: DC 12V 50mA
2. Contact resistance: <100m Ω
3. Insulation resistance:>100MQ
4. The intensity of operations: 160+50gf
5. Open and close the trip: 0.13+0.05mm
6. Life requirements: 200,000次
7. Withstand voltage: AC 250V 1分钟
8. All materials comply with RoHS standards

TOLERANCE

X. XXX	±0.05
X. XX	±0.15
X. X	±0.20
X.	±0.30
ANGLE	±5.0°

PROTECTON



东莞市恒祺电子科技有限公司
Dongguan Hengqi Electronic Technology Co., Ltd

<https://www.hq-dz.com>

phone:15812872448

TITLE:

薄膜轻触开关

PART NO:HQ-TS-2616正接

DRAWING NO:2.6*1.6*0.55

DRAWN:

CHECKED:

APPROVED:

DATE:

DATE:

DATE:

18-10-08

18-10-08

18-10-08

UNIT:
mm

SCALE:
FULL

SIZE:
A4