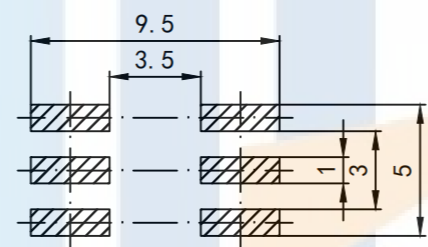
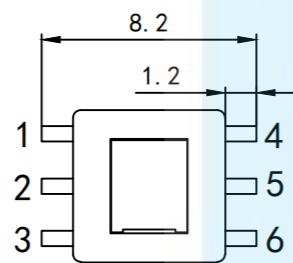
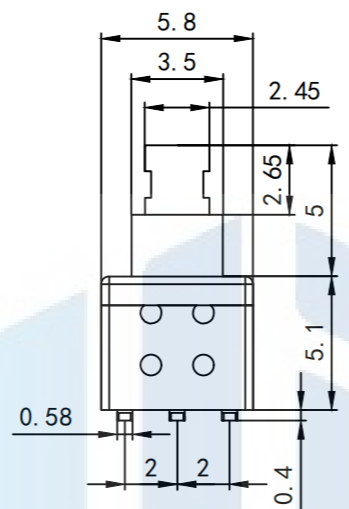
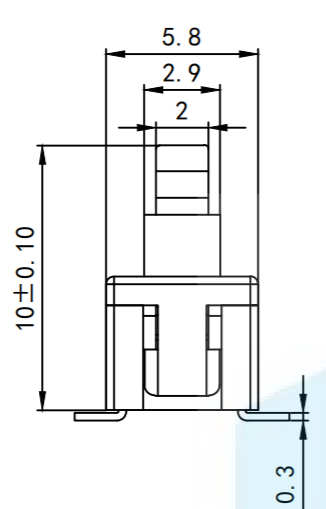
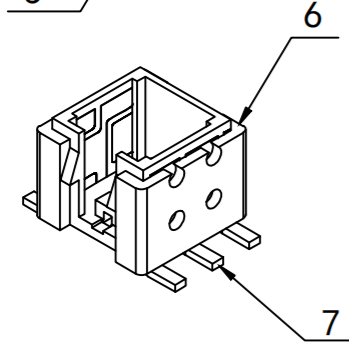
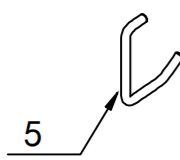
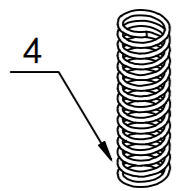
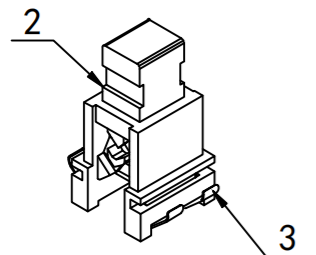
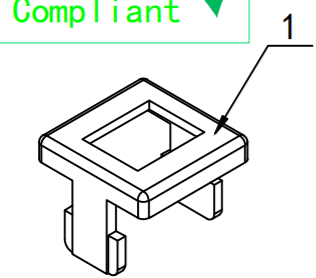


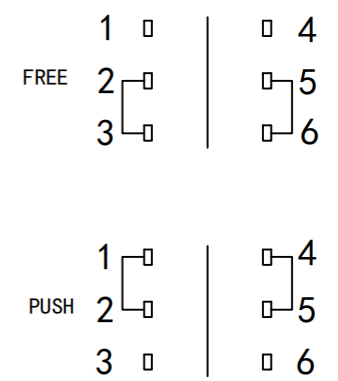
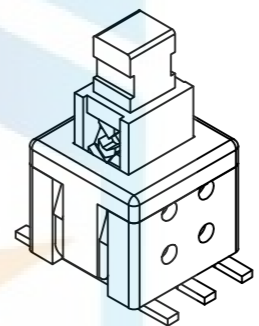
RoHS2.0  
Compliant

**SPECIFICATION:**


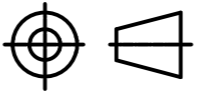
1. Rated voltage :DC 50V 0.3A
2. Contact resistance :30MΩ MAX less than 30MΩ
3. Insulation resistance :100MΩ MIN 100 megohm or more
4. Compressive strength :AC500V (50/60Hz) 1 minute sensitivity current is 0.5mA
5. Operating temperature: -16°C±60°C
6. Mechanical life: 10,000 cycles



P. C. B LAYOUT



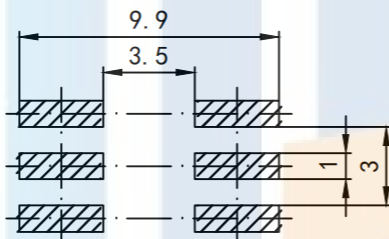
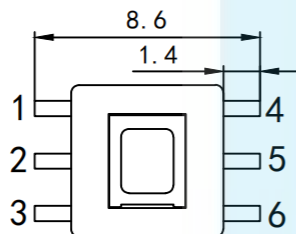
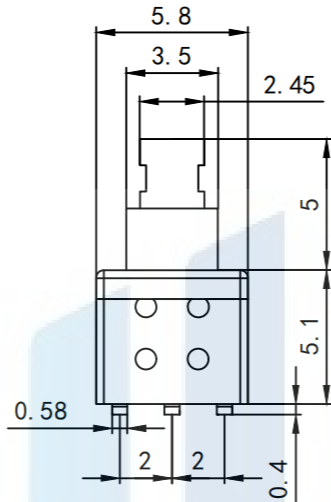
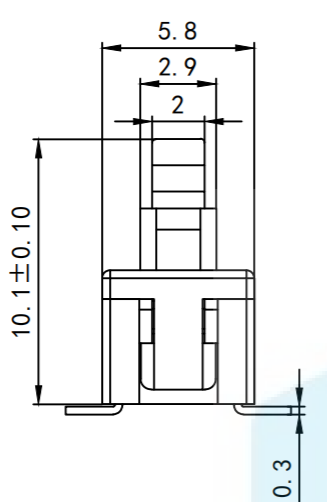
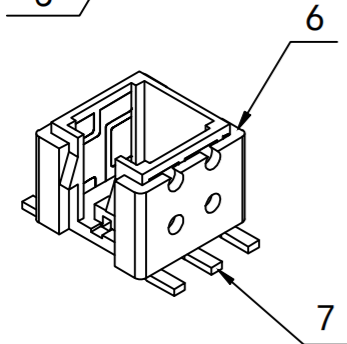
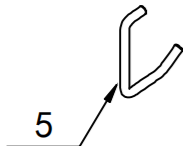
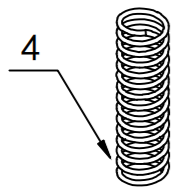
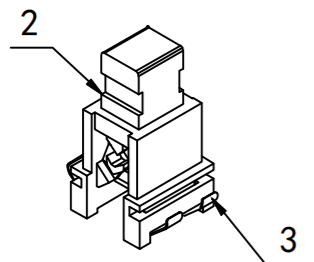
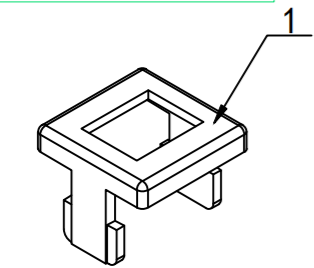
CIRCUIT DIAGRAM

<b>TOLERANCE</b> X. XXX ±0.05 X. XX ±0.15 X. X ±0.20 X. ±0.30 ANGLE ±5.0°		 <b>东莞市恒祺电子科技有限公司</b> Dongguan Hengqi Electronic Technology Co., Ltd		
		<a href="https://www.hq-dz.com">https://www.hq-dz.com</a> phone:15812872448		
<b>TITLE:</b> 按键开关 自(无)锁		<b>PART NO:</b> 5.8*5.8高头6脚贴片 <b>DRAWING NO:</b> 5.8*5.8*10脚距8.2		
<b>PROTECTON</b> 		<b>DRAWN:</b>	<b>DATE:</b> 18-10-08	<b>UNIT:</b> mm
		<b>CHECKED:</b>	<b>DATE:</b> 18-10-08	<b>SCALE:</b> FULL
		<b>APPROVED:</b>	<b>DATE:</b> 18-10-08	<b>SIZE:</b> A4

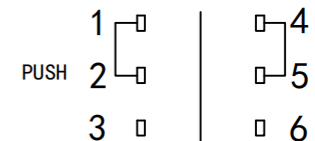
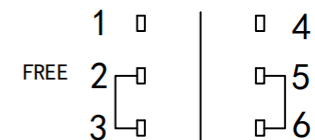
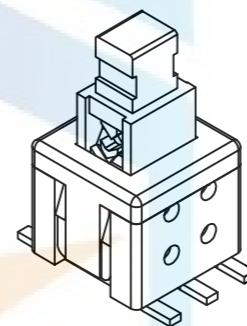
RoHS2.0  
Compliant

SPECIFICATION:

1. Rated voltage :DC 50V 0.3A
2. Contact resistance :30MΩ MAX less than 30Mω
3. Insulation resistance :100MΩ MIN 100 megohm or more
4. Compressive strength :AC500V(50/60Hz)1 minute sensitivity current is 0.5mA
5. Operating temperature: -16°C±60°C
6. Mechanical life: 10,000 cycles



P. C. B LAYOUT

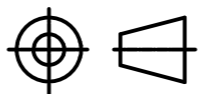


CIRCUIT DIAGRAM

TOLERANCE

X. XXX	±0.05
X. XX	±0.15
X. X	±0.20
X.	±0.30
ANGLE	±5.0°

PROTECTON



东莞市恒祺电子科技有限公司  
Dongguan Hengqi Electronic Technology Co., Ltd

<https://www.hq-dz.com>

phone:15812872448

TITLE:

按键开关  
自(无)锁

PART NO:5.8\*5.8高头6脚贴片

DRAWING NO:5.8\*5.8\*10脚距8.6

DRAWN:

CHECKED:

APPROVED:

DATE:

DATE:

DATE:

18-10-08

18-10-08

18-10-08

UNIT:  
mm

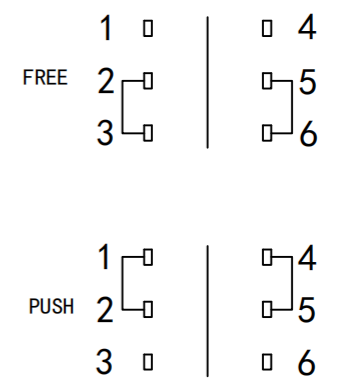
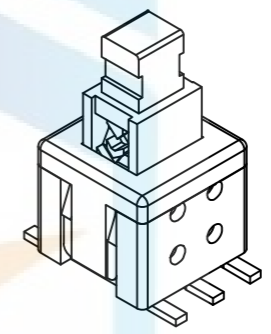
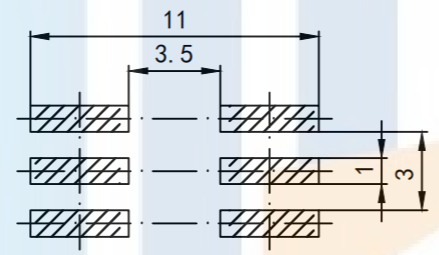
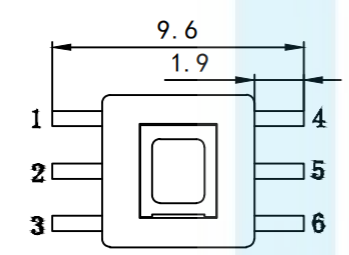
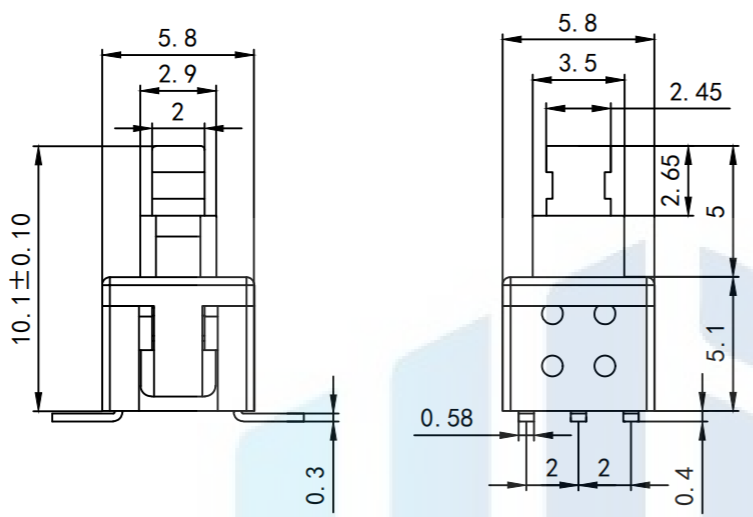
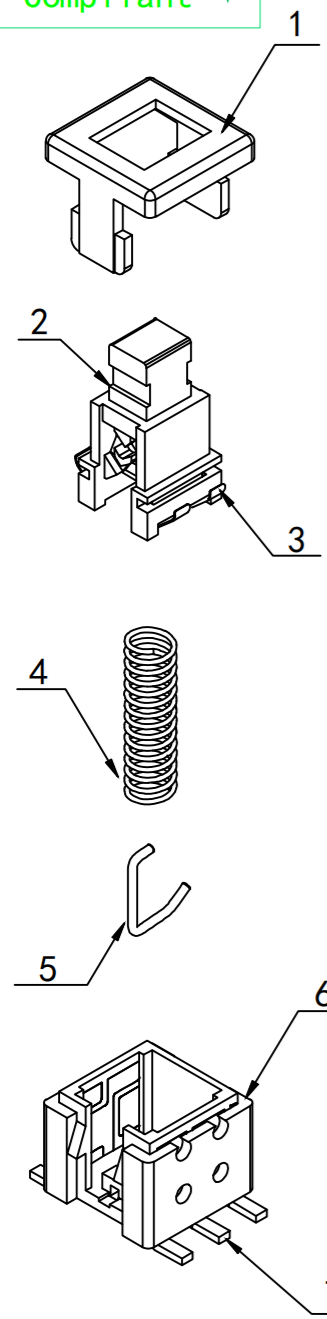
SCALE:  
FULL

SIZE:  
A4

RoHS2.0  
Compliant

**SPECIFICATION:**

1. Rated voltage :DC 50V 0.3A
2. Contact resistance :30MΩ MAX less than 30MΩ
3. Insulation resistance :100MΩ MIN 100 megohm or more
4. Compressive strength :AC500V(50/60Hz)1 minute sensitivity current is 0.5mA
5. Operating temperature: -16°C±60°C
6. Mechanical life: 10,000 cycles



**CIRCUIT DIAGRAM**

**P. C. B LAYOUT**

<b>TOLERANCE</b> X. XXX ±0.05 X. XX ±0.15 X. X ±0.20 X. ±0.30 ANGLE ±5.0°		<b>东莞市恒祺电子科技有限公司</b> Dongguan Hengqi Electronic Technology Co., Ltd	
		<a href="https://www.hq-dz.com">https://www.hq-dz.com</a> phone:15812872448	
<b>PROTECTON</b> 	<b>TITLE:</b> 按键开关 自(无)锁		<b>PART NO:</b> 5.8*5.8高头6脚贴片
	<b>DRAWN:</b>		<b>DRAWING NO:</b> 5.8*5.8*10脚距9.6
	<b>CHECKED:</b>	<b>DATE:</b> 18-10-08	<b>UNIT:</b> mm
<b>APPROVED:</b>	<b>DATE:</b> 18-10-08	<b>SCALE:</b> FULL	<b>SIZE:</b> A4