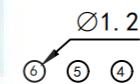
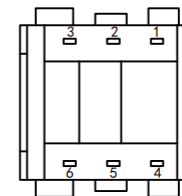
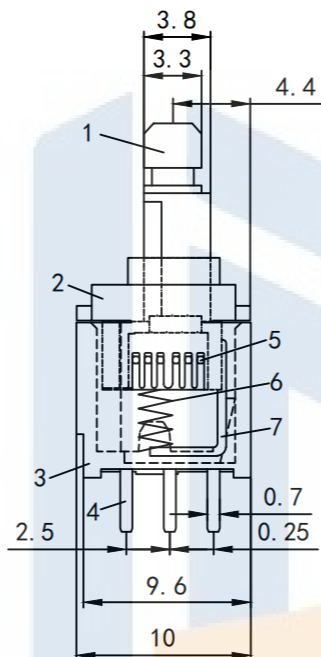
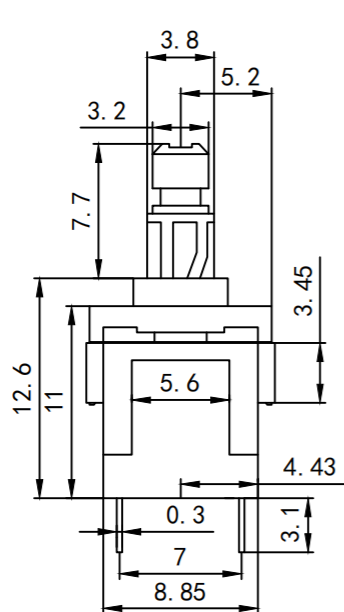
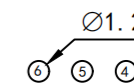


RoHS2.0
Compliant



P. C. B LAYOUT
BOTTOM VIEW



FREE 1-2 4-5
PUSH 2-3 5-6
CIRCUIT DIAGRAM

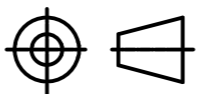
SPECIFICATION:

1. Rating: DC 30V 0.2A
2. Contact resistance: $\leq 50m\Omega$
3. Insulation resistance: $\geq 100M\Omega$ DC500V
4. Withstand voltage: AC 250V(30Hz)/min
5. Insertion and extraction force: $450 \pm 50gf$
6. life test: 10000 cycles

TOLERANCE

X. XXX	± 0.05
X. XX	± 0.15
X. X	± 0.20
X.	± 0.30
ANGLE	$\pm 5.0^\circ$

PROTECTON



东莞市恒祺电子科技有限公司
Dongguan Hengqi Electronic Technology Co., Ltd

<https://www.hq-dz.com>

phone:15812872448

TITLE:
按键开关

PART NO:10*10双排6脚高头
DRAWING NO:10*10

DRAWN:		DATE:	18-10-08	UNIT:	mm
CHECKED:		DATE:	18-10-08	SCALE:	FULL
APPROVED:		DATE:	18-10-08	SIZE:	A4