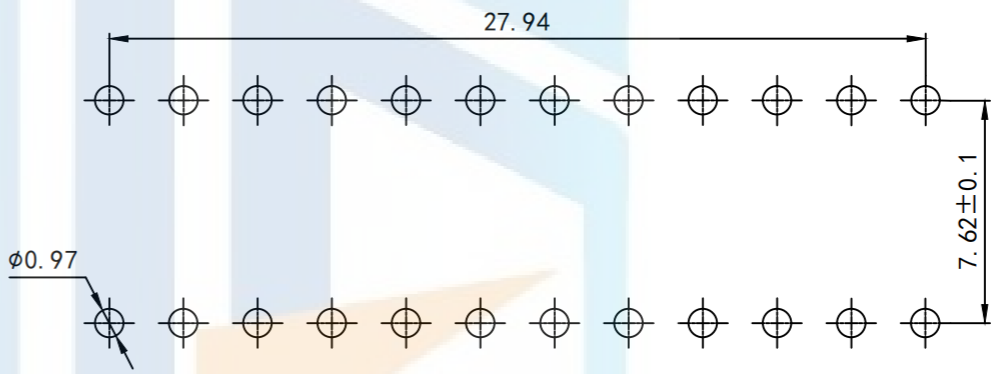
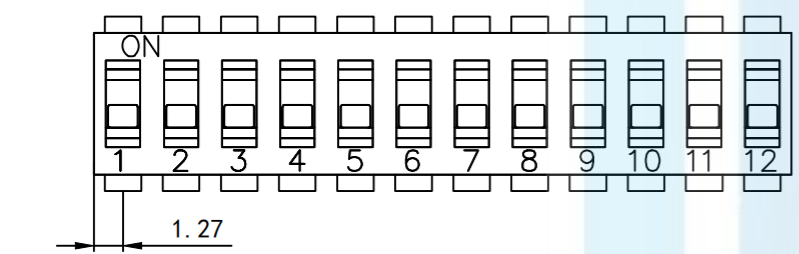
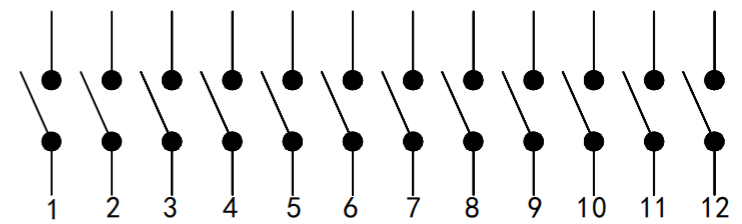
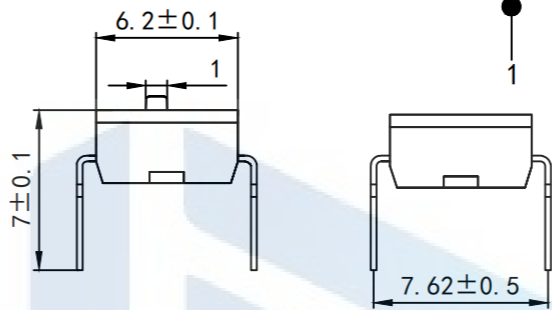
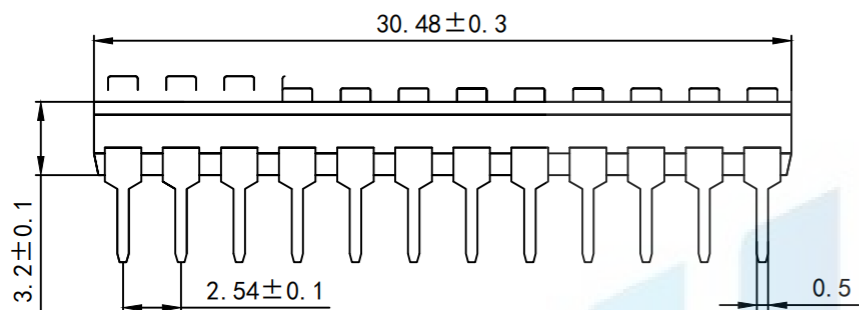


RoHS2.0
Compliant



Specification:

Electrical life: 2000 times
rated current:

No Switching: 100mA@50VDC

Switching: 25mA @ 24VDC

Insulation Resistance: 100MΩ@250VDC

Contact Resistance: 50mΩ max

Dielectric strength: 500VAC/1min

Operating force: 500gfmax

Operating temperature: -30°C to 85°C (no ice)

TOLERANCE X. XXX ±0.05 X. XX ±0.15 X. X ±0.20 X. ±0.30 ANGLE ±5.0°		东莞市恒祺电子科技有限公司 Dongguan Hengqi Electronic Technology Co., Ltd		
		https://www.hq-dz.com phone: 15812872448		
PROTECTON 	TITLE: 拨码开关		PART NO: BIH012	
	DRAWN:		DRAWING NO: 30*3.2*2.54	
	CHECKED:	DATE: 18-10-08	UNIT: mm	SCALE: FULL
APPROVED:	DATE: 18-10-08	DATE: 18-10-08	SIZE: A4	