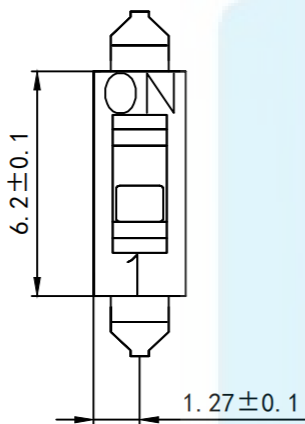
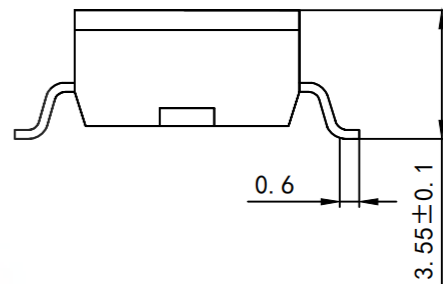
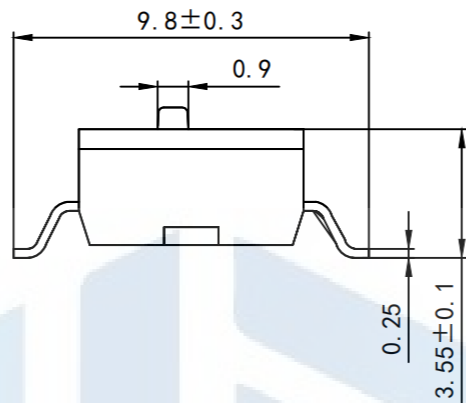
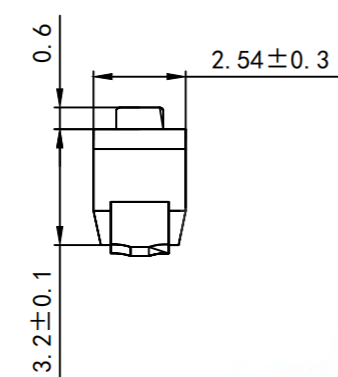


RoHS2.0
Compliant ✓



Specification:

Electrical life: 2000 times
rated current:

No Switching: 100mA@50VDC

Switching: 25mA@24VDC

Insulation Resistance: 100MΩ@250VDC

Contact Resistance: 50mΩmax

Dielectric strength: 500VAC/1min

Operating force: 500gfmax

Operating temperature: -30°C to 85°C (no ice)

TOLERANCE			东莞市恒祺电子科技有限公司			
X. XXX	±0.05		Dongguan Hengqi Electronic Technology Co., Ltd			
X. XX	±0.15	https://www.hq-dz.com		phone: 15812872448		
X. X	±0.20	TITLE: 拨码开关		PART NO: BIS001		
X.	±0.30			DRAWING NO: 2.54*3.2		
ANGLE	±5.0°	DRAWN: _____		DATE: 18-10-08		
PROTECTON 				CHECKED: _____	DATE: 18-10-08	UNIT: mm
				APPROVED: _____	DATE: 18-10-08	SCALE: FULL
				SIZE: A4		