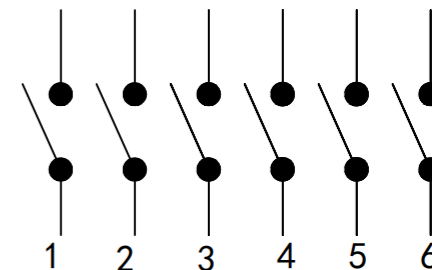
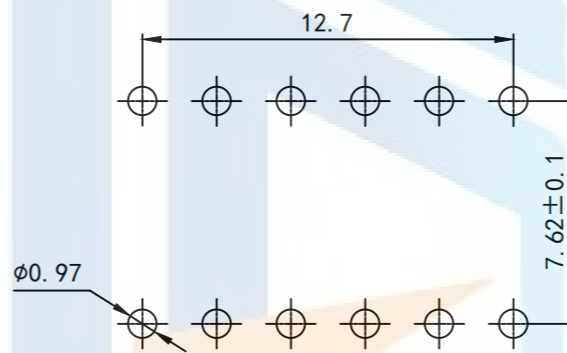
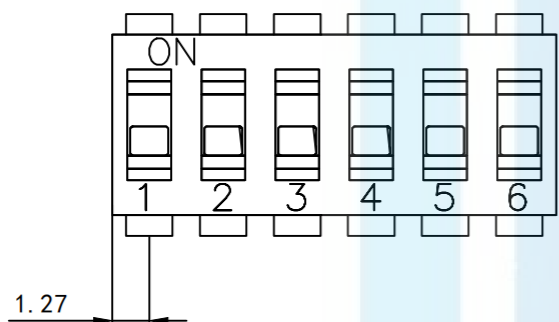
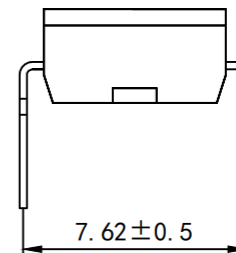
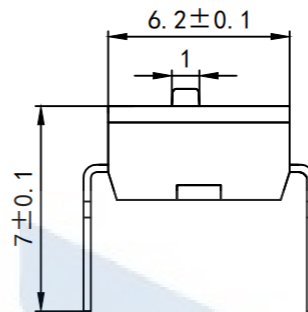
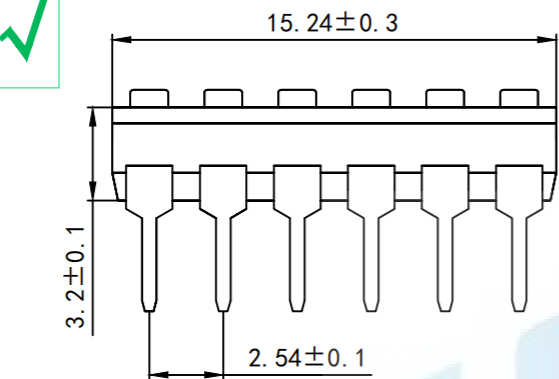


RoHS2.0
Compliant ✓



Specification:
 Electrical life: 2000 times
 rated current:
 No Switching: 100mA@50VDC
 Switching: 25mA @ 24VDC
 Insulation Resistance: 100MΩ@250VDC
 Contact Resistance: 50mΩ max
 Dielectric strength: 500VAC/1min
 Operating force: 500gfmax
 Operating temperature: -30°C to 85°C (no ice)

TOLERANCE X. XXX ±0.05 X. XX ±0.15 X. X ±0.20 X. ±0.30 ANGLE ±5.0°		东莞市恒祺电子科技有限公司 Dongguan Hengqi Electronic Technology Co., Ltd	
		https://www.hq-dz.com phone: 15812872448	
PROTECTON 	DRAWN: _____ CHECKED: _____ APPROVED: _____	拨码开关 PART NO: BIH006	
		DRAWING NO: 15.24*3.2*2.54	
		DATE: 18-10-08	UNIT: mm
		DATE: 18-10-08	SCALE: FULL
		DATE: 18-10-08	SIZE: A4