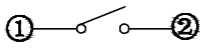
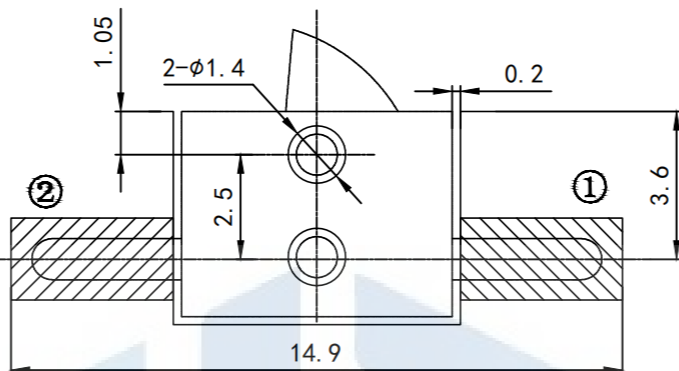
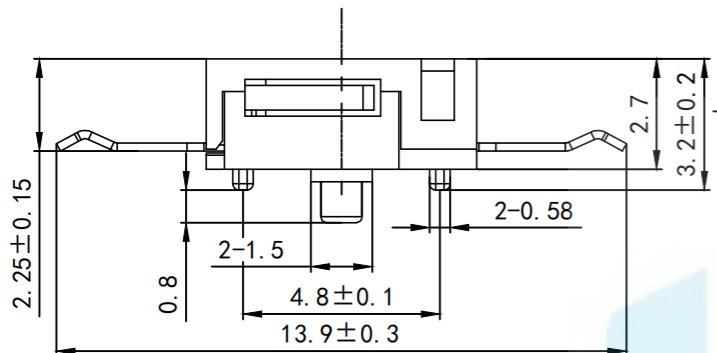


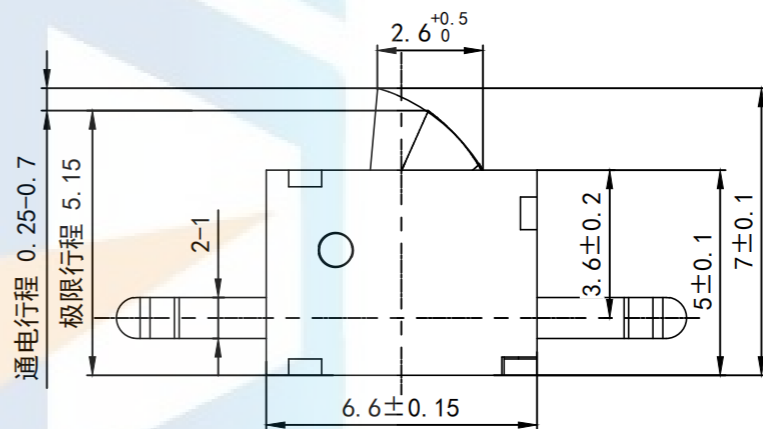
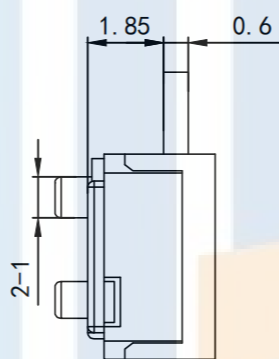
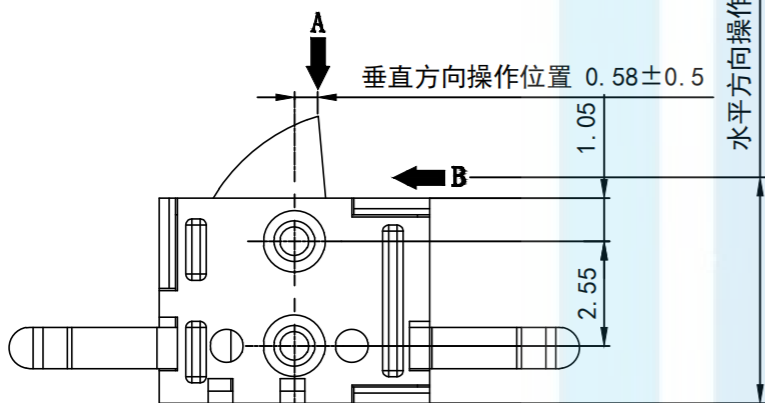
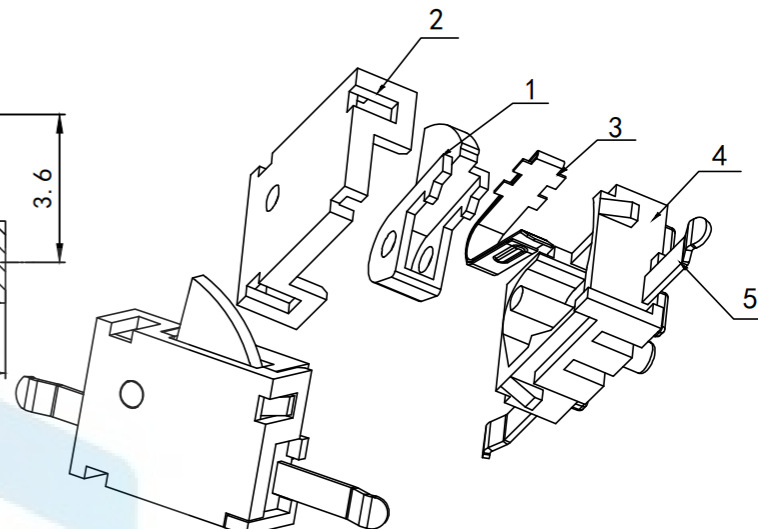
RoHS2.0
Compliant



电路原理图



安装尺寸图



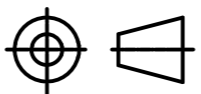
Technical requirements

1. Rated load: DC16V 0.5A
2. Switch withstand voltage: AC250V for 1 minute, Breakdown and flashover do not occur.
3. Switching insulation resistance $\geq 50M\Omega$
4. Switch contact resistance $\leq 200m\Omega$
5. Switching force: $40g \pm 10g$
6. The life of the switch requires $\geq 20,000$ cycles
7. The unmarked dimensional tolerance is required according to GB/T1804-m level accuracy

TOLERANCE

| | |
|--------|-----------------|
| X. XXX | ± 0.05 |
| X. XX | ± 0.15 |
| X. X | ± 0.20 |
| X. | ± 0.30 |
| ANGLE | $\pm 5.0^\circ$ |

PROTECTON



东莞市恒祺电子科技有限公司
Dongguan Hengqi Electronic Technology Co., Ltd

<https://www.hq-dz.com>

phone: 15812872448

TITLE:
限位开关

PART NO: HQ-KFC-V-405P平脚

DRAWING NO: 13.9*2.7*5

DRAWN:

DATE: 18-10-08

UNIT:
mm

CHECKED:

DATE: 18-10-08

SCALE:
FULL

APPROVED:

DATE: 18-10-08

SIZE:
A4