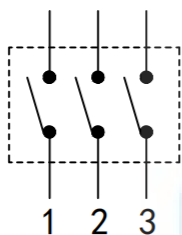


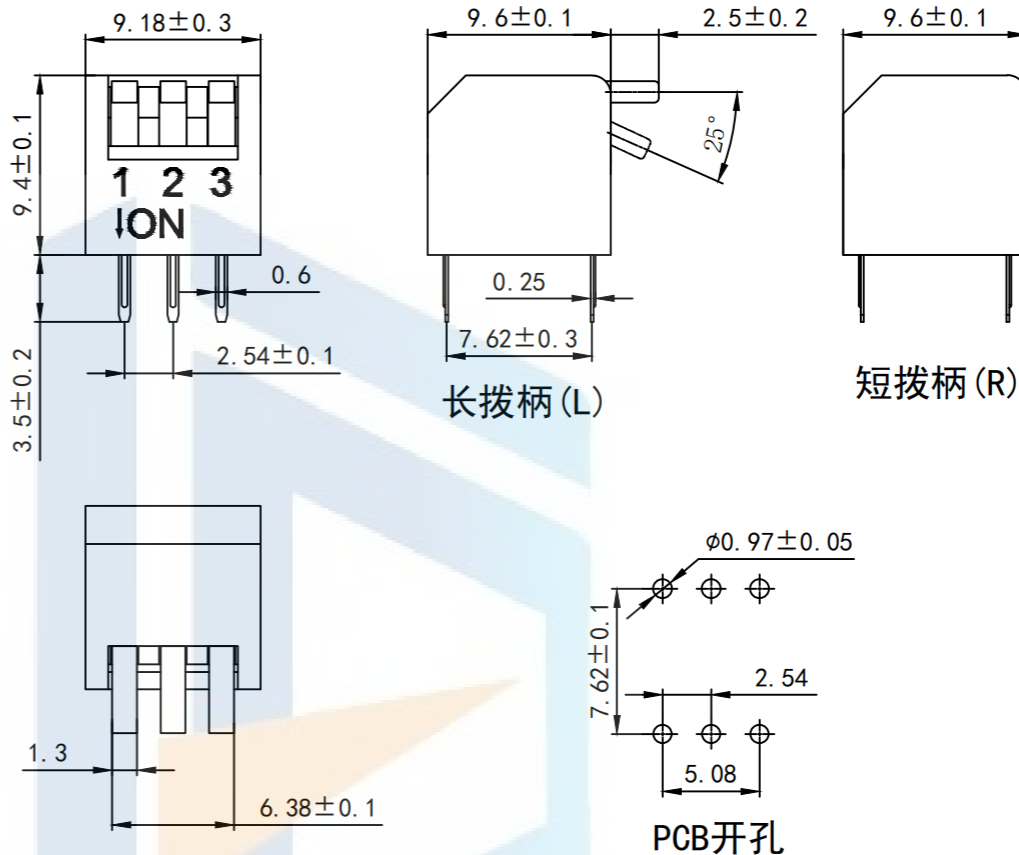
RoHS2.0
Compliant



电路图

Switching features:

1. Lifting capacity: 25mA at 24VDC
2. Insulation resistance: 100MΩ at 250VDC
3. Contact resistance: 50mΩ max
4. Dielectric strength: 500VAC /1min,
5. Operating force: 1000gf max
6. Electrical life: 2000 times
7. Applicable temperature: -20°C to 70°C (no icing)
8. Welding requirements:
 - Manual soldering: 320°C no more than 2seconds, (30 watt soldering iron max).
 - Wave soldering: 260°C no more than 5 seconds, the switch is in a disconnected state during soldering and cleaning
9. The switch is in a disconnected state when leaving the factory.



TOLERANCE	X. XXX	±0.05		东莞市恒祺电子科技有限公司		
	X. XX	±0.15		Dongguan Hengqi Electronic Technology Co., Ltd		
X. X	±0.20		https://www.hq-dz.com		phone:15812872448	
X.	±0.30		TITLE: 拨码开关		PART NO:DPL003	
ANGLE	±5.0°		DRAWING NO:9.18*9.4*2.54			
PROTECTON 	DRAWN:		DATE:	18-10-08	UNIT: mm	
	CHECKED:		DATE:	18-10-08	SCALE: FULL	
	APPROVED:		DATE:	18-10-08	SIZE: A4	