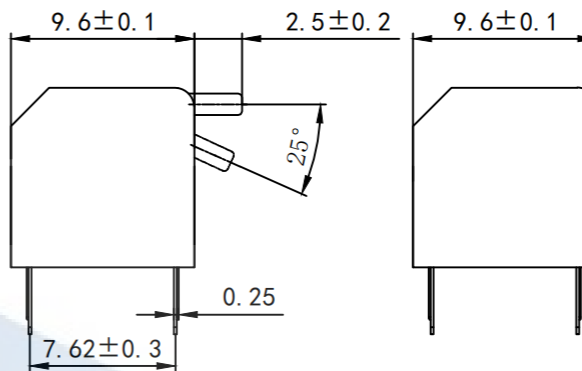
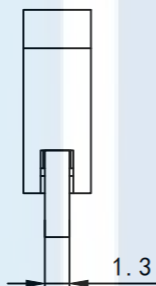
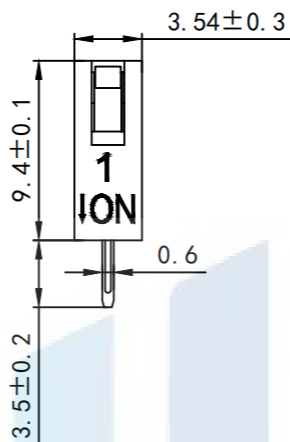
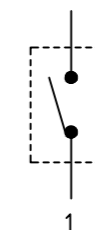
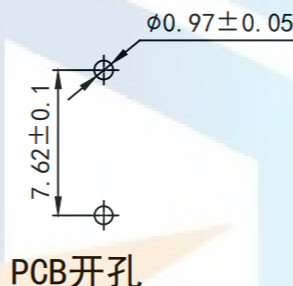


RoHS2.0  
Compliant



长拨柄(L)

短拨柄(R)



电路图

Switching features:

1. Lifting capacity: 25mA at 24VDC
2. Insulation resistance: 100MΩ at 250VDC
3. Contact resistance: 50mΩ max
4. Dielectric strength: 500VAC /1min,
5. Operating force: 1000gf max
6. Electrical life: 2000 times
7. Applicable temperature: -20°C to 70°C (no icing)
8. Welding requirements:  
Manual soldering: 320°C no more than 2seconds, (30 watt soldering iron max.)  
Wave soldering: 260°C no more than 5 seconds, the switch is in a disconnected state during soldering and cleaning
9. The switch is in a disconnected state when leaving the factory.

TOLERANCE			东莞市恒祺电子科技有限公司		
X. XXX	±0.05		Dongguan Hengqi Electronic Technology Co., Ltd		
X. XX	±0.15	https://www.hq-dz.com phone:15812872448			
X. X	±0.20	TITLE: 拨码开关		PART NO:DPL001	
X.	±0.30	DRAWING NO:3.54*9.4			
ANGLE	±5.0°	APPROVED:		DATE: 18-10-08 UNIT: mm	
PROTECTON		DRAWN:		DATE: 18-10-08 SCALE: FULL	
		CHECKED:		DATE: 18-10-08 SIZE: A4	
		APPROVED:		DATE: 18-10-08	