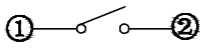
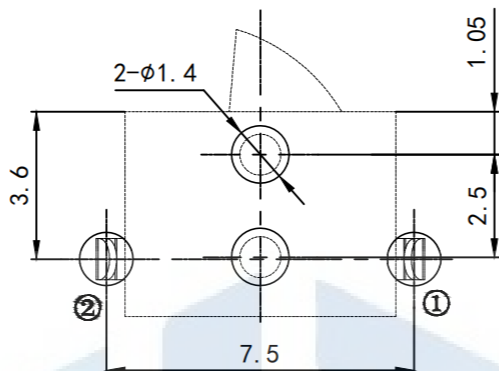
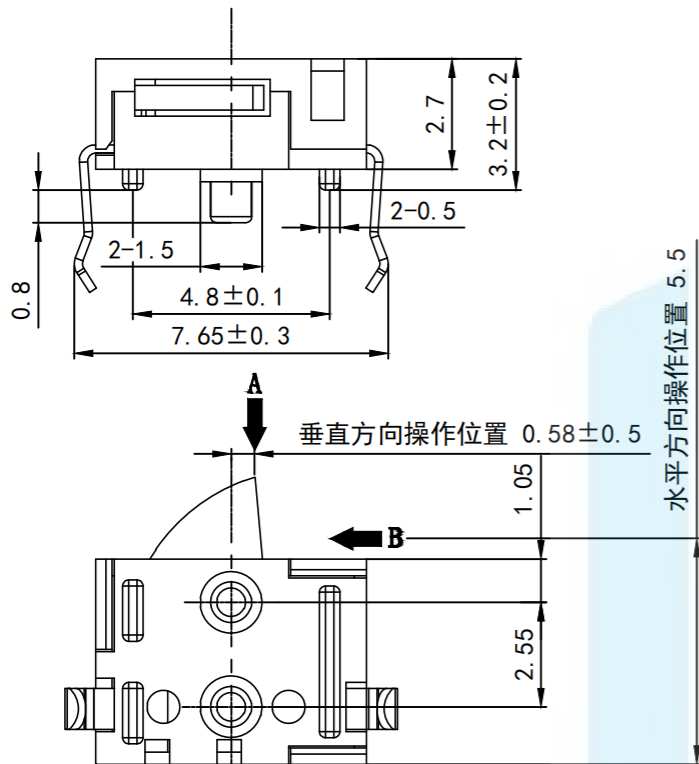


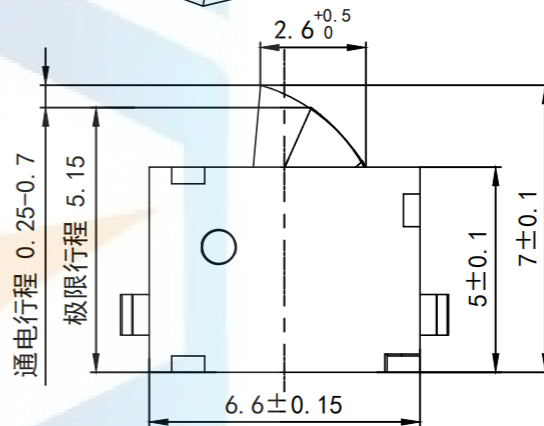
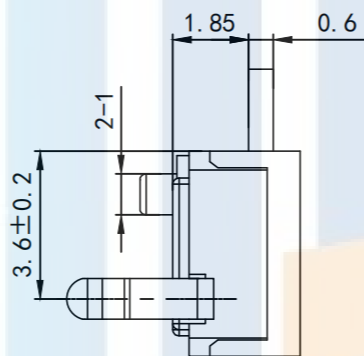
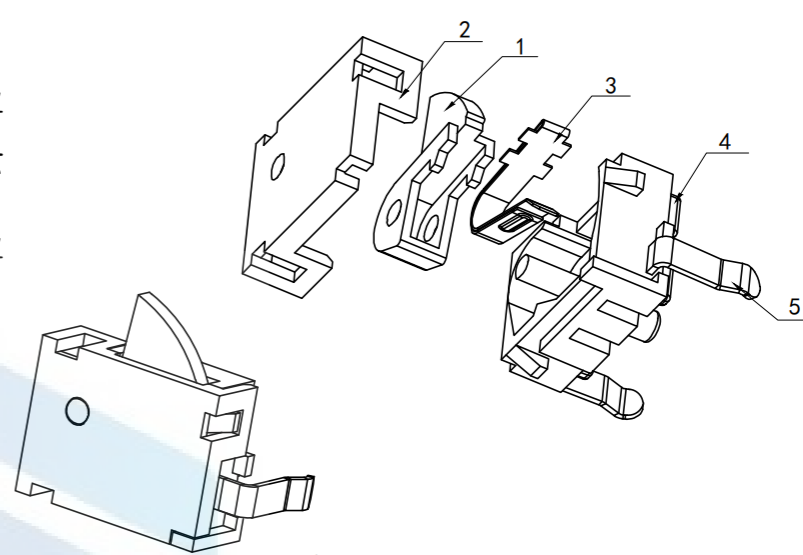
RoHS2.0
Compliant



电路原理图



安装尺寸图



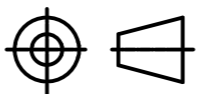
Technical requirements

1. Rated load: DC16V 0.5A
2. Switch withstand voltage: AC250V for 1 minute, Breakdown and flashover do not occur.
3. Switching insulation resistance $\geq 50M\Omega$
4. Switch contact resistance $\leq 200m\Omega$
5. Switching force: $40g \pm 10g$
6. The life of the switch requires $\geq 50,000$ cycles
7. The unmarked dimensional tolerance is required according to GB/T1804-m level accuracy

TOLERANCE

X. XXX	± 0.05
X. XX	± 0.15
X. X	± 0.20
X.	± 0.30
ANGLE	$\pm 5.0^\circ$

PROTECTON



东莞市恒祺电子科技有限公司
Dongguan Hengqi Electronic Technology Co., Ltd

<https://www.hq-dz.com>

phone: 15812872448

TITLE:
限位开关

PART NO: HQ-KFC-V-405S

DRAWING NO: 7.65*2.7*5

DRAWN:

DATE: 18-10-08

UNIT:
mm

CHECKED:

DATE: 18-10-08

SCALE:
FULL

APPROVED:

DATE: 18-10-08

SIZE:
A4