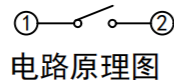
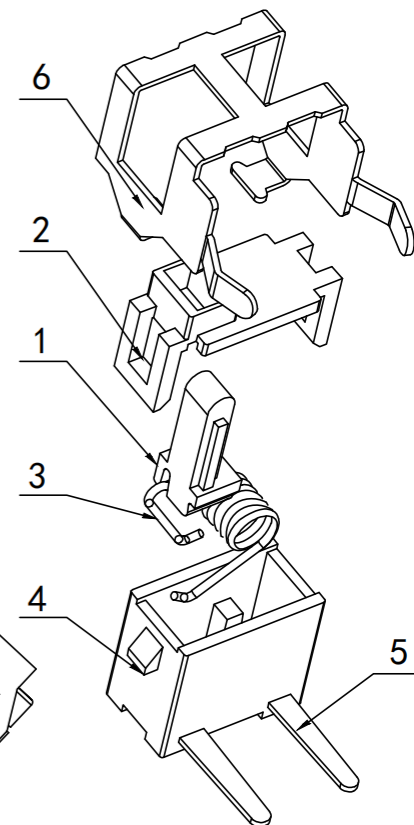
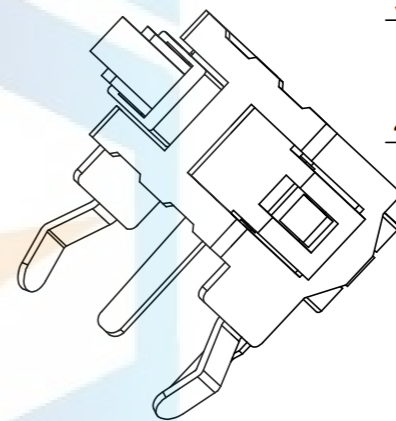
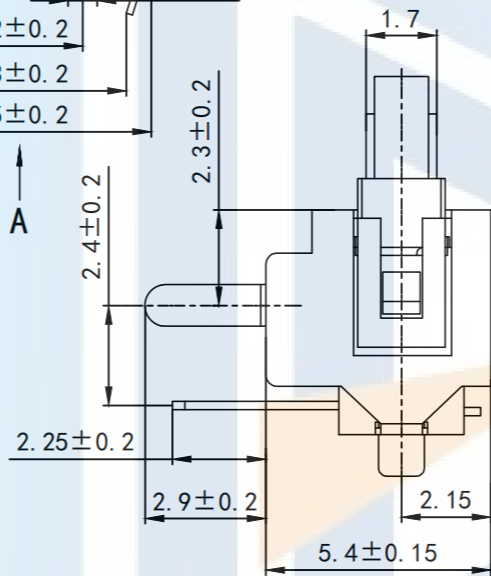
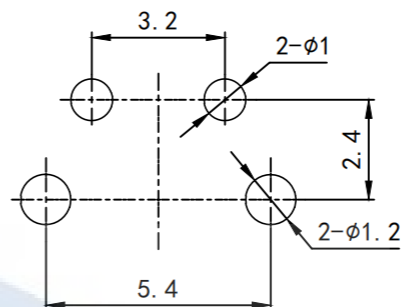
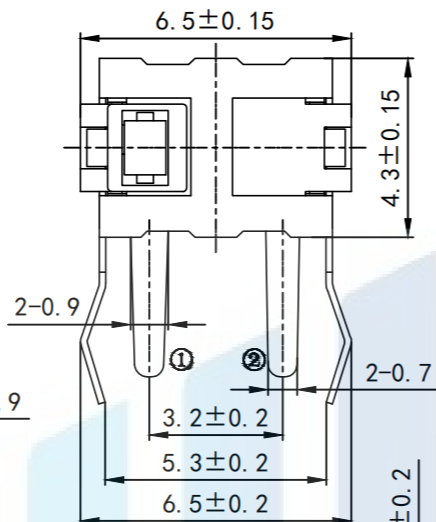
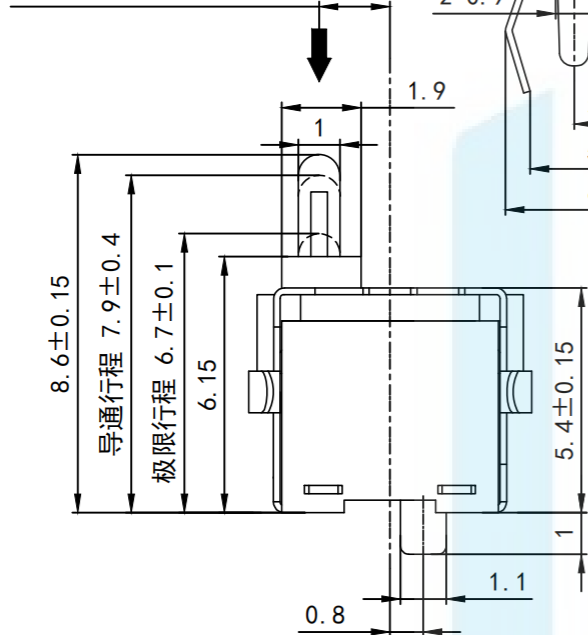


RoHS2.0
Compliant



垂直方向操作位置 1.7



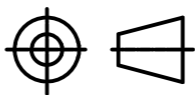
Technical requirements

- Rated voltage: 16V (DC)
Rated current: 0.5A
- Switching insulation resistance: $\geq 50M\Omega$
- Switch contact electric positive: $\leq 300m\Omega$
- Switching force: $35g \pm 10g$
- The life of the switch is required $\geq 20,000$ cycles
- The unmarked dimensional tolerance is required by GB/T1804-m level accuracy

TOLERANCE

X. XXX	± 0.05
X. XX	± 0.15
X. X	± 0.20
X.	± 0.30
ANGLE	$\pm 5.0^\circ$

PROTECTON



东莞市恒祺电子科技有限公司
Dongguan Hengqi Electronic Technology Co., Ltd

<https://www.hq-dz.com>

phone: 15812872448

TITLE:
限位开关

PART NO: HQ-KFC-V-113接通

DRAWING NO: 6.5*4.3*5.4

DRAWN:

DATE: 18-10-08

UNIT:
mm

CHECKED:

DATE: 18-10-08

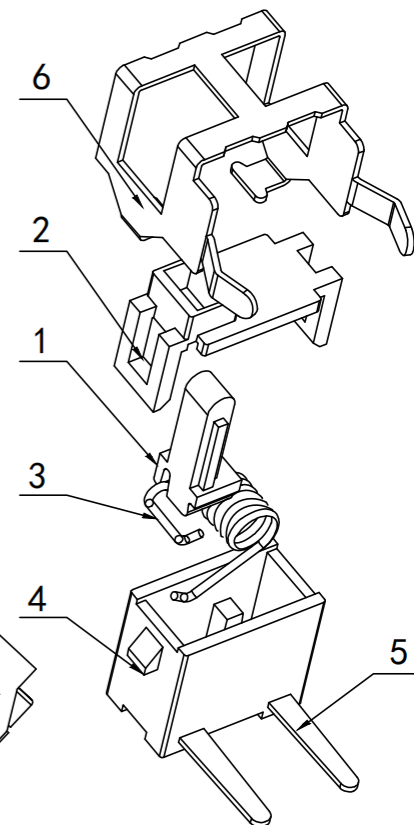
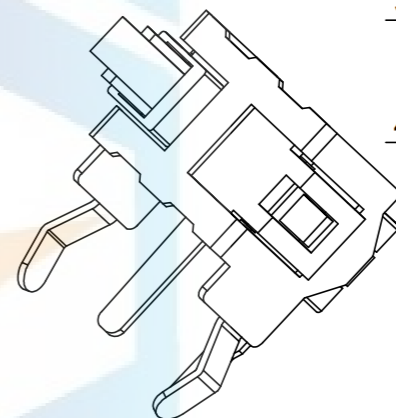
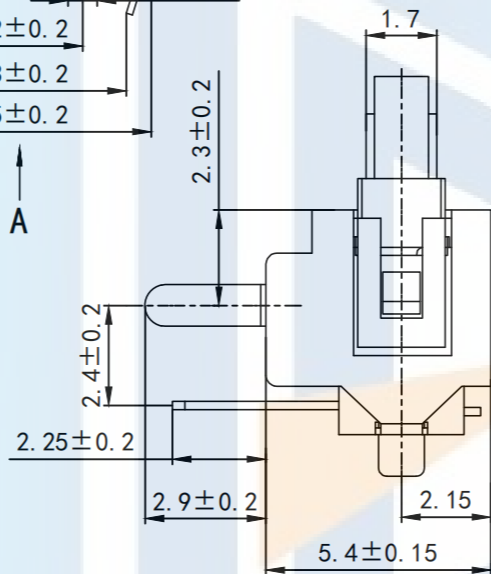
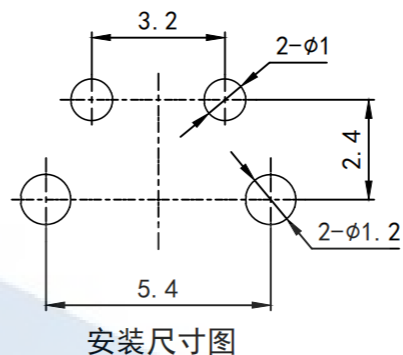
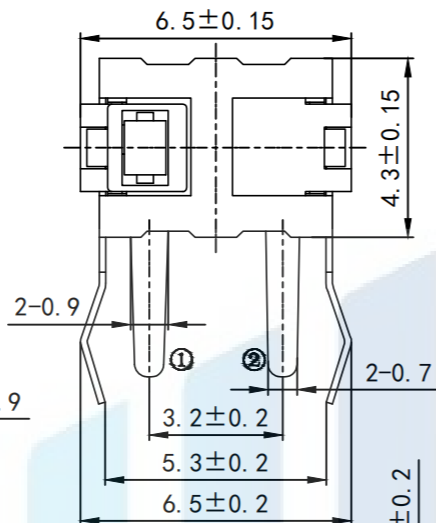
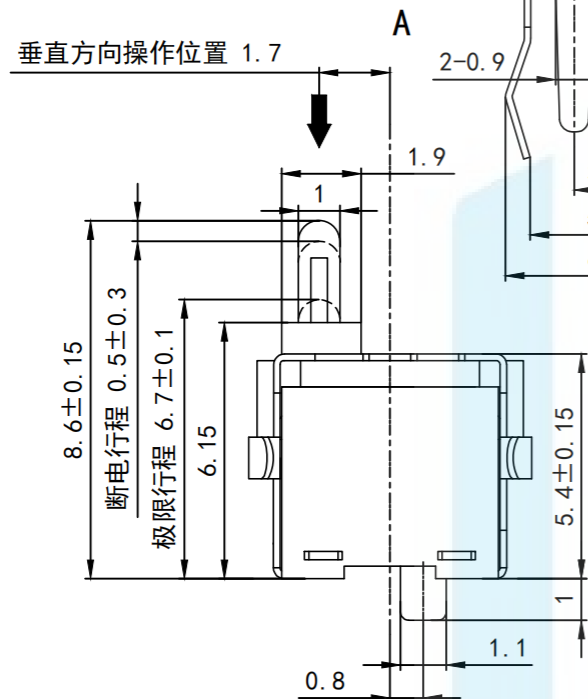
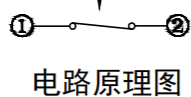
SCALE:
FULL

APPROVED:

DATE: 18-10-08

SIZE:
A4

RoHS2.0
Compliant



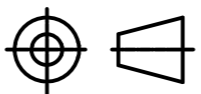
Technical requirements

- Rated voltage: 16V (DC)
- Rated current: 0.5A
- Switching insulation resistance: $\geq 50M\Omega$
- Switch contact electric positive: $\leq 300m\Omega$
- Switching force: $35g \pm 10g$
- The life of the switch is required $\geq 20,000$ cycles
- The unmarked dimensional tolerance is required by GB/T1804-m level accuracy

TOLERANCE

X. XXX	± 0.05
X. XX	± 0.15
X. X	± 0.20
X.	± 0.30
ANGLE	$\pm 5.0^\circ$

PROTECTON



东莞市恒祺电子科技有限公司
Dongguan Hengqi Electronic Technology Co., Ltd

<https://www.hq-dz.com>

phone: 15812872448

TITLE:
限位开关

PART NO: HQ-KFC-V-113按断

DRAWING NO: 6.5*4.3*5.4

DRAWN:

DATE: 18-10-08

UNIT:
mm

CHECKED:

DATE: 18-10-08

SCALE:
FULL

APPROVED:

DATE: 18-10-08

SIZE:
A4