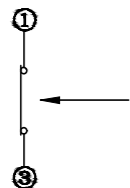
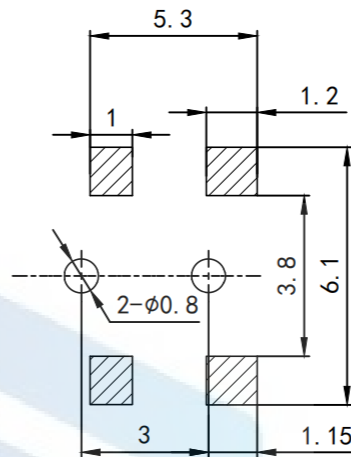
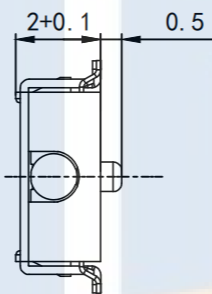
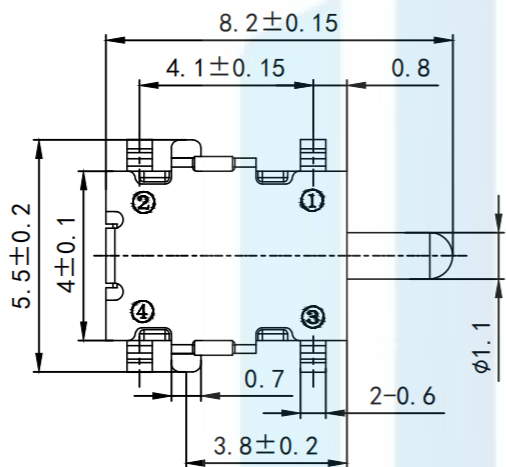
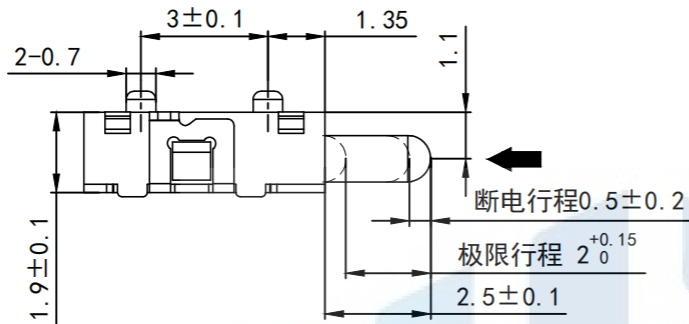


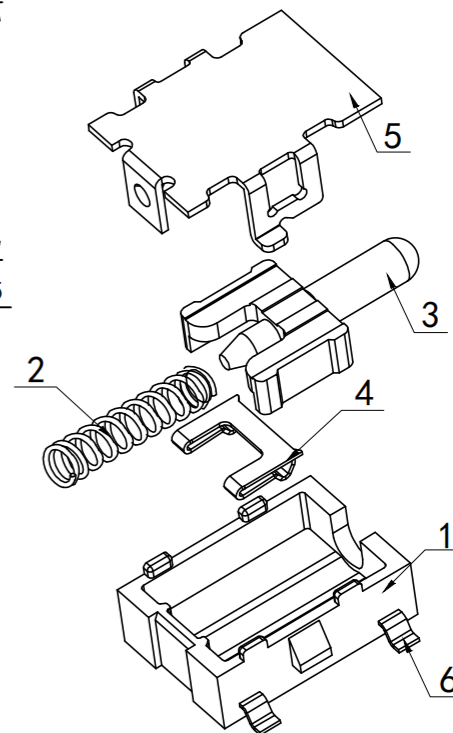
RoHS2.0
Compliant



电路原理图



安装位置图

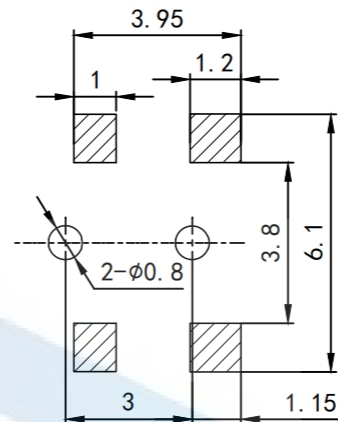
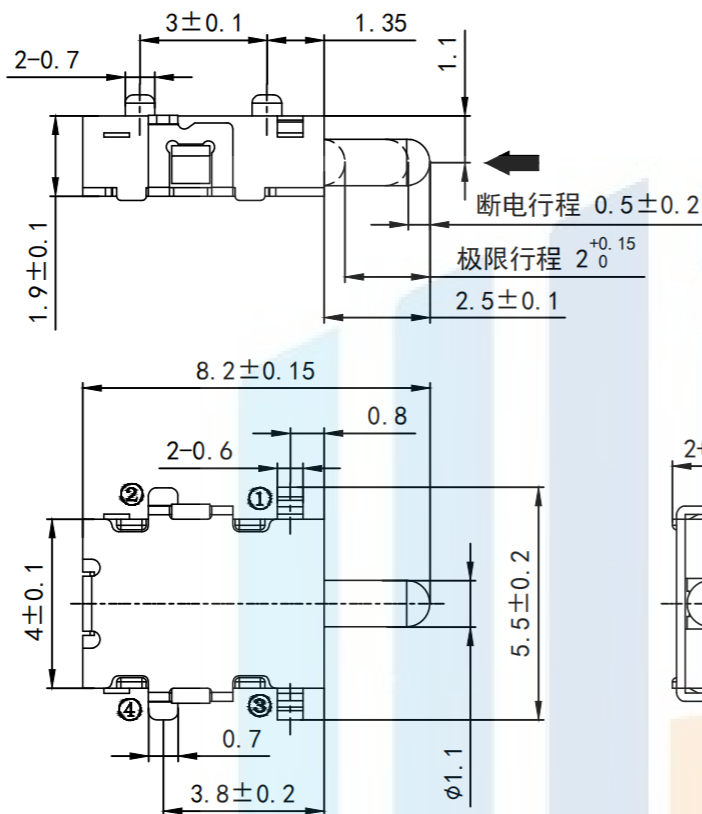
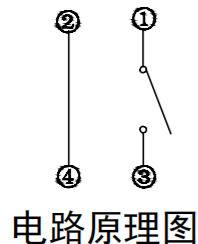


Technical requirements

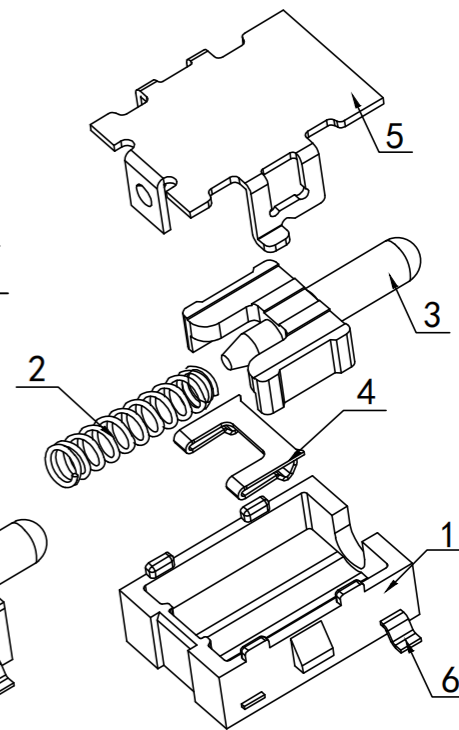
1. Rated voltage: 16V (DC)
Rated current: 0.5A
2. Switching insulation resistance: $\geq 50M\Omega$
3. Switch contact resistance: $\leq 200m\Omega$
4. Withstand voltage: AC 250V (50Hz)/min
5. Driving force: $90g \pm 20g$
6. life span: 50000 cycles.
7. The unmarked dimensional tolerance is required according to GB/T1804-m level accuracy

TOLERANCE X. XXX ± 0.05 X. XX ± 0.15 X. X ± 0.20 X. ± 0.30 ANGLE $\pm 5.0^\circ$		东莞市恒祺电子科技有限公司 Dongguan Hengqi Electronic Technology Co., Ltd		
		https://www.hq-dz.com phone: 15812872448		
PROTECTON 	TITLE: 限位开关		PART NO: HQ-KFC-V-305B按断	
	DRAWN:		DRAWING NO: 8.2*1.9*4	
	CHECKED:	DATE: 18-10-08	UNIT: mm	SCALE: FULL
APPROVED:	DATE: 18-10-08	DATE: 18-10-08	SIZE: A4	

RoHS2.0
Compliant



安装位置图



Technical requirements

- Rated voltage: 16V (DC)
Rated current: 0.5A
- Switching insulation resistance: $\geq 50M\Omega$
- Switch contact resistance: $\leq 200m\Omega$
- Withstand voltage: AC 250V (50Hz)/min
- Driving force: $90g \pm 20g$
- life span: 20000 cycles.
- The unmarked dimensional tolerance is required according to GB/T1804-m level accuracy

TOLERANCE	X. XXX	± 0.05		东莞市恒祺电子科技有限公司 Dongguan Hengqi Electronic Technology Co., Ltd			
	X. XX	± 0.15		https://www.hq-dz.com phone: 15812872448			
PROTECTON	X. X	± 0.20	TITLE: 限位开关	PART NO: HQ-KFC-V-305K 按通			
	X.	± 0.30		DRAWING NO: 8.2*1.9*4			
	ANGLE	$\pm 5.0^\circ$	DRAWN:	DATE:	18-10-08	UNIT:	mm
			CHECKED:	DATE:	18-10-08	SCALE:	FULL
			APPROVED:	DATE:	18-10-08	SIZE:	A4