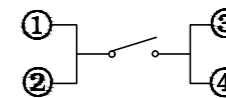
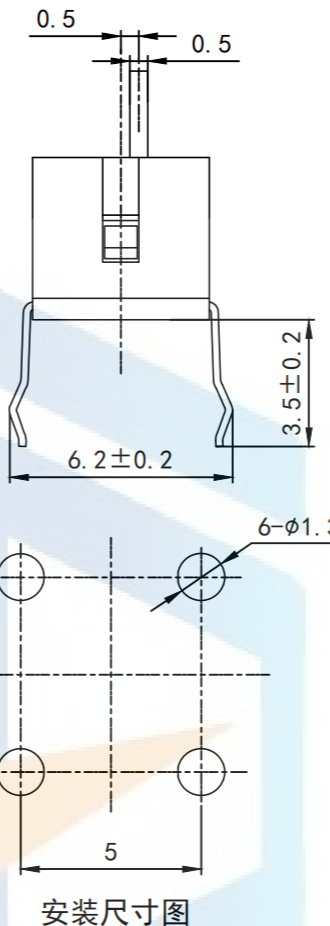
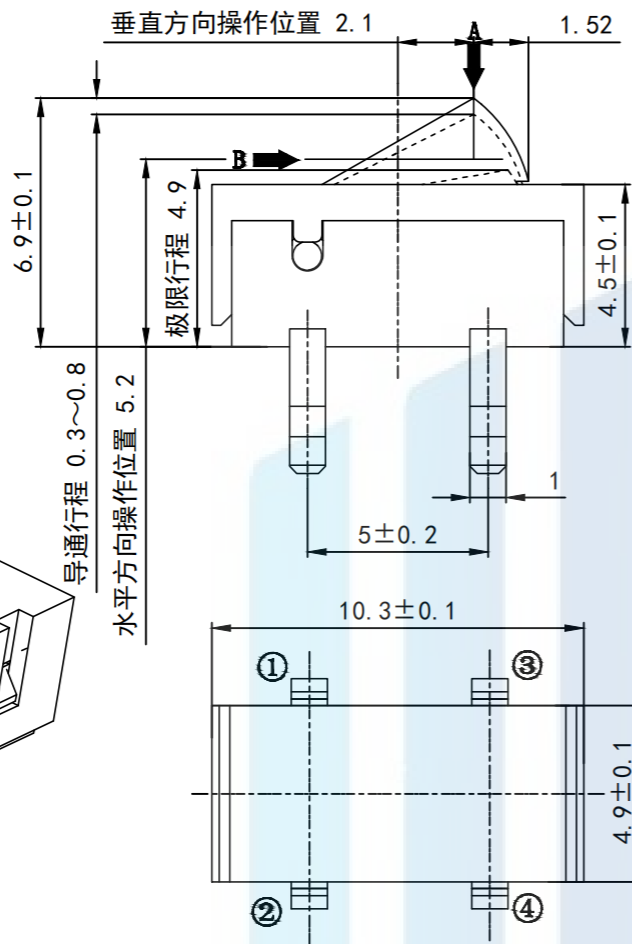
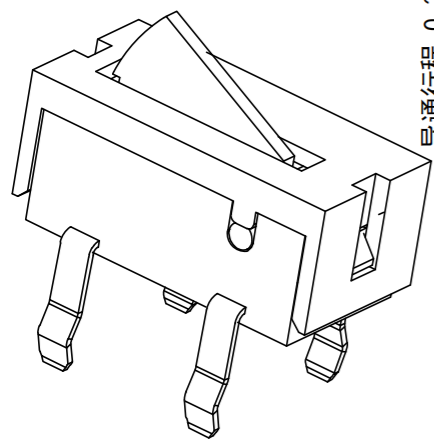
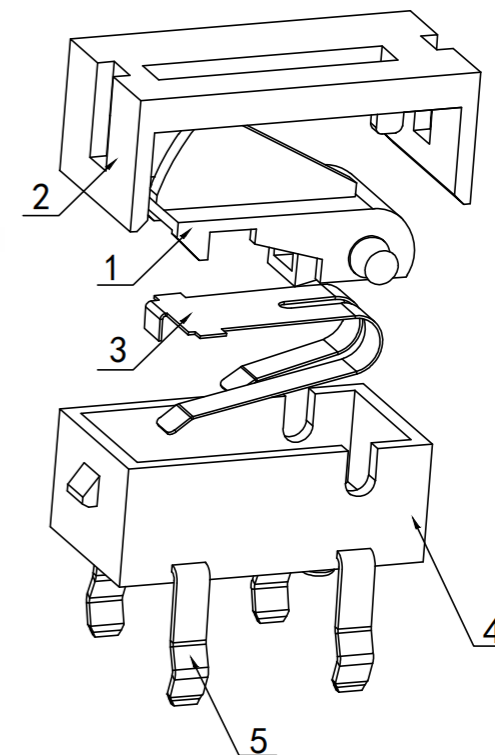


RoHS2.0
Compliant



电路原理图



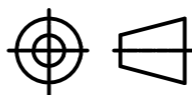
Technical requirements

1. Rated voltage: 16V (DC)
2. Rated current: 0.5A
3. Switching insulation resistance: $\geq 50M\Omega$
4. Switch contact electric positive: $\leq 200m\Omega$
5. Switching force: $30g \pm 10g$
5. The life of the switch is required $\geq 20,000$ cycles
6. The unmarked dimensional tolerance is required by GB/T1804-m level accuracy

TOLERANCE

X. XXX	±0.05
X. XX	±0.15
X. X	±0.20
X.	±0.30
ANGLE	±5.0°

PROTECTON



东莞市恒祺电子科技有限公司

Dongguan Hengqi Electronic Technology Co., Ltd

<https://www.hq-dz.com>

phone: 15812872448

TITLE:

限位开关

PART NO: HQ-KFC-V-105无柱尖柄

DRAWING NO: 10.3*4.9*4.5

DRAWN:

CHECKED:

APPROVED:

DATE:

DATE:

DATE:

18-10-08

18-10-08

18-10-08

UNIT:
mm

SCALE:
FULL

SIZE:
A4