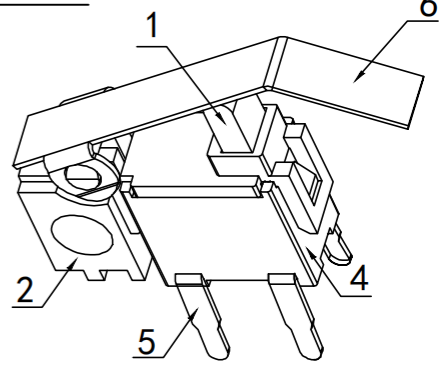
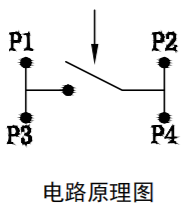
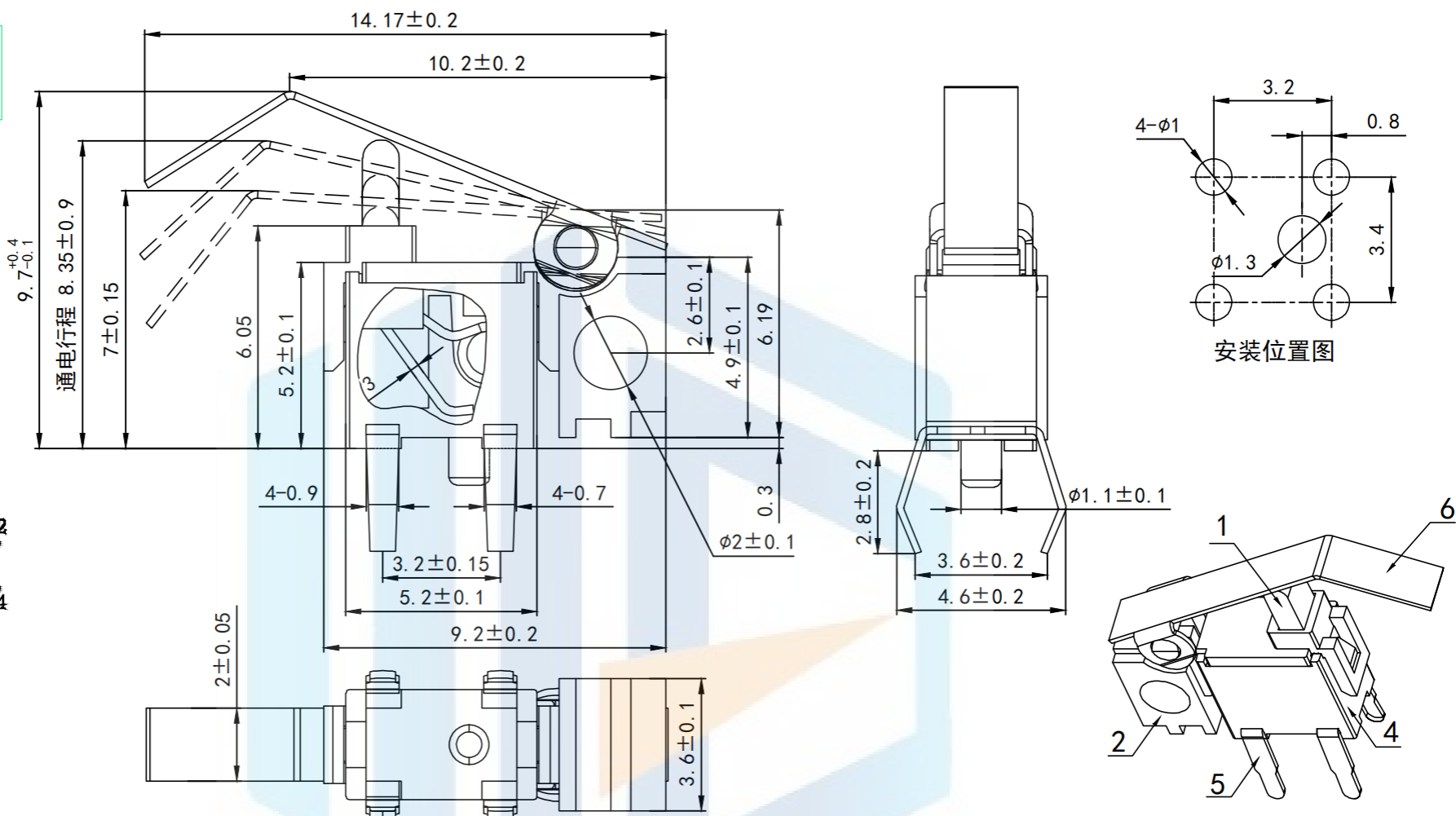


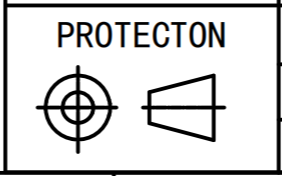
RoHS2.0
Compliant



Technical requirements

- Rated voltage: 16V (DC)
- Rated current: 0.5A
- Switching insulation resistance: $\geq 50M\Omega$
- Switch contact electric positive: $\leq 300m\Omega$
- Switching force: $35g \pm 10g$
- The life of the switch is required $\geq 30,000$ cycles
- The unmarked dimensional tolerance is required by GB/T1804-m level accuracy

TOLERANCE	
X. XXX	± 0.05
X. XX	± 0.15
X. X	± 0.20
X.	± 0.30
ANGLE	$\pm 5.0^\circ$



	东莞市恒祺电子科技有限公司 Dongguan Hengqi Electronic Technology Co., Ltd	
	https://www.hq-dz.com phone: 15812872448	
TITLE: 限位开关	PART NO: HQ-KFC-V-107带柄	
	DRAWING NO: 9.2*5.2*3.6	
	DRAWN:	DATE: 18-10-08
CHECKED:	DATE: 18-10-08	UNIT: mm
APPROVED:	DATE: 18-10-08	SCALE: FULL
		SIZE: A4