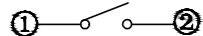
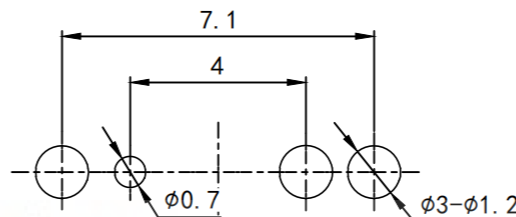
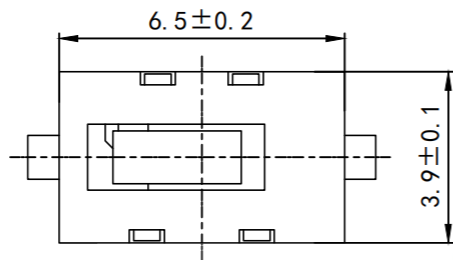


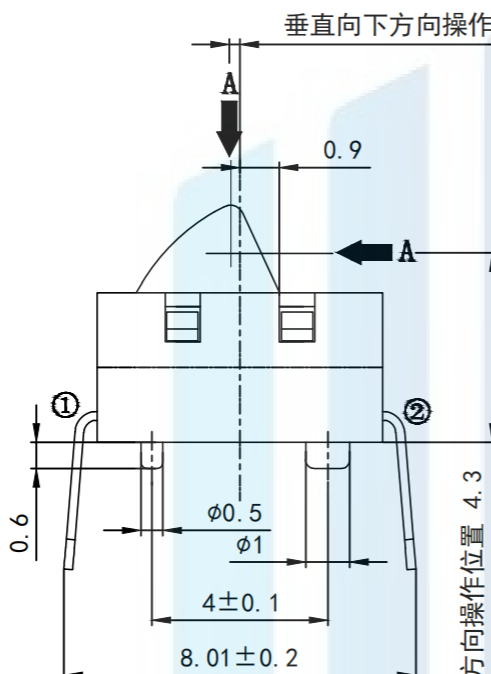
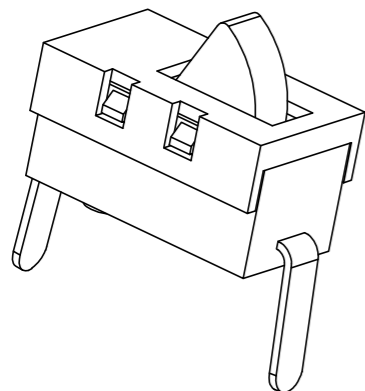
RoHS2.0
Compliant



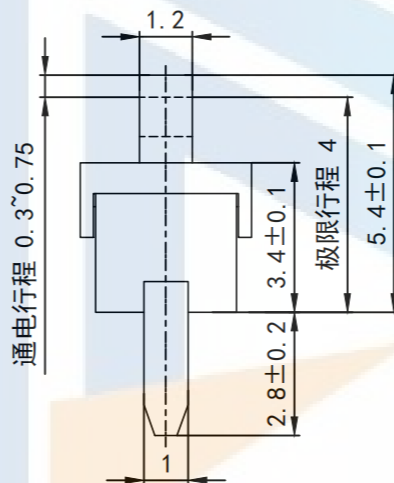
电路原理图



安装尺寸图

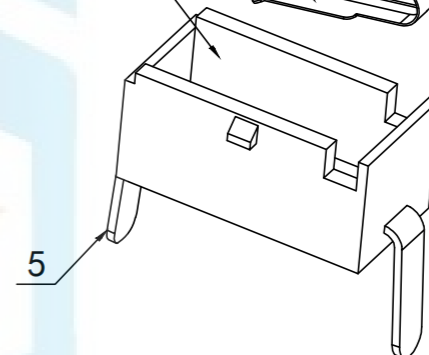
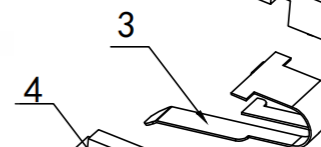
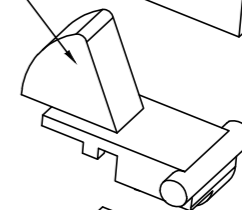
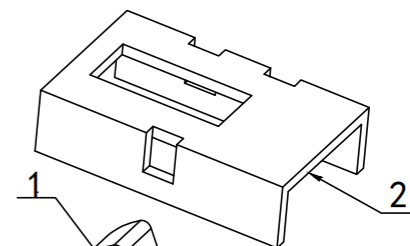


水平方向操作位置 4.3



通电极程 0.3~0.75

极限行程 4



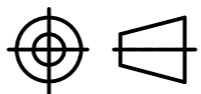
Technical requirements

- Rated voltage: 16V (DC)
- Rated current: 0.5A
- Switching insulation resistance: $\geq 50M\Omega$
- Switch contact resistance: $\leq 200m\Omega$
- Withstand voltage: AC 250V (50Hz)/min
- Driving force: 30g \pm 10g
- life span: 20,000 cycles.
- The unmarked dimensional tolerance is required according to GB/T1804-m level accuracy

TOLERANCE

X. XXX	± 0.05
X. XX	± 0.15
X. X	± 0.20
X.	± 0.30
ANGLE	$\pm 5.0^\circ$

PROTECTON



东莞市恒祺电子科技有限公司

Dongguan Hengqi Electronic Technology Co., Ltd

<https://www.hq-dz.com>

phone: 15812872448

TITLE:

限位开关

PART NO: HQ-KFC-V-105S-2

DRAWING NO: 6.5*3.9*3.4

DRAWN:

CHECKED:

APPROVED:

DATE:

DATE:

DATE:

18-10-08

18-10-08

18-10-08

UNIT:

SCALE:

SIZE:

mm

FULL

A4