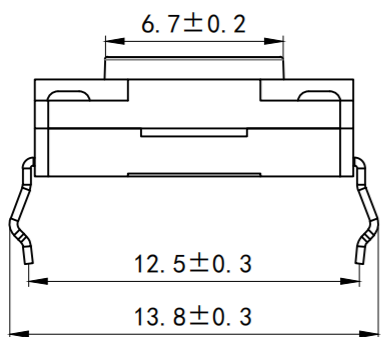
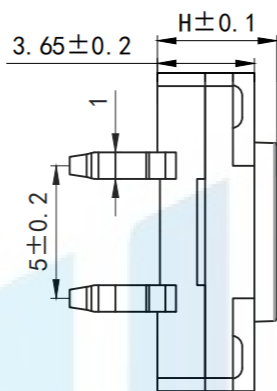
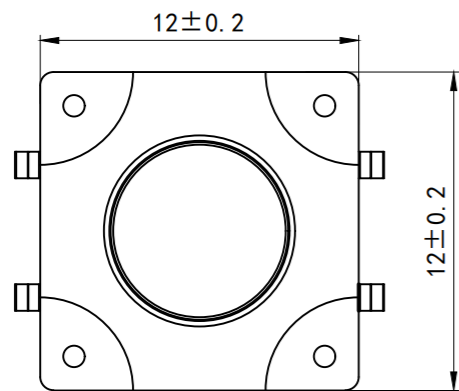
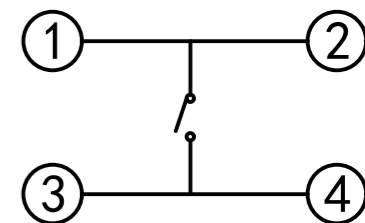
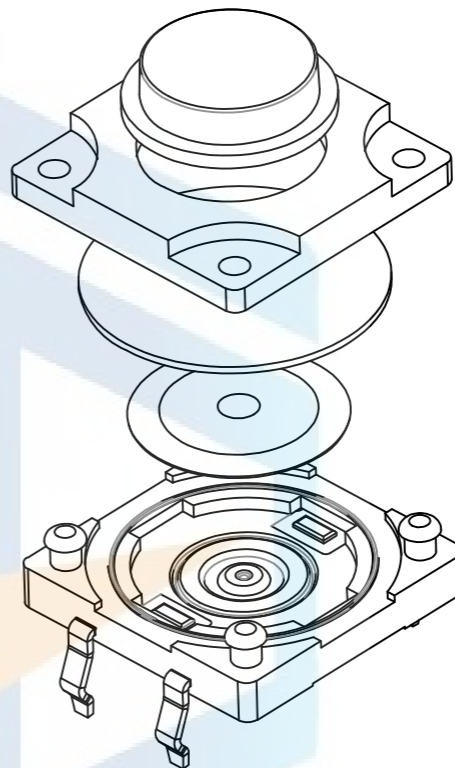


RoHS2.0
Compliant

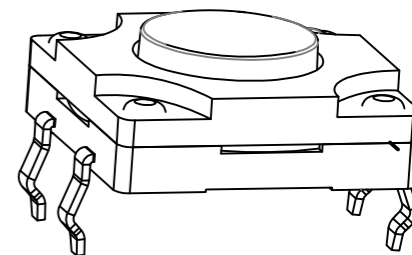
H	
4.3	4.5
5.0	5.5
6.0	6.5
.....
13.0	13.5
14.0	15.0



PCB. 焊接图


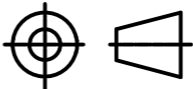


电路图



Main technical specifications:

1. Amount setting: 50mA DC12V
2. Contact resistance: $\leq 50\text{m}\Omega$
3. Operation force: $250 \pm 40\text{gf}$
4. Line length: $0.45 \pm 0.1\text{mm}$
5. Insulation resistance: $\geq 100\text{M}\Omega$
6. Electrical strength: 250V 50HZ 1Min.
7. Life span: 100,000 Cycles
8. Waterproof rating: IP67
9. Anti-silver migration: 60V, 85°C, 90%RH/60H

TOLERANCE		 东莞市恒祺电子科技有限公司 Dongguan Hengqi Electronic Technology Co., Ltd			
X. XXX	± 0.05	https://www.hq-dz.com		phone: 15812872448	
X. XX	± 0.15	TITLE:		PART NO: HQ-TS-1027	
X. X	± 0.20	轻触开关 防水圆头插脚		DRAWING NO: 12*12*H	
X.	± 0.30	PROTECTON 	DRAWN:	DATE:	18-10-08
ANGLE	$\pm 5.0^\circ$		CHECKED:	DATE:	18-10-08
			APPROVED:	DATE:	18-10-08
				UNIT:	mm
				SCALE:	FULL
				SIZE:	A4