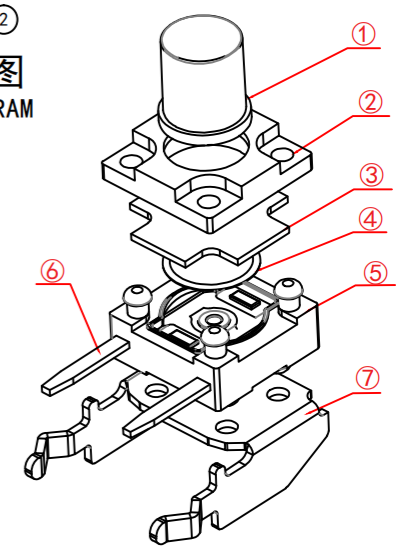
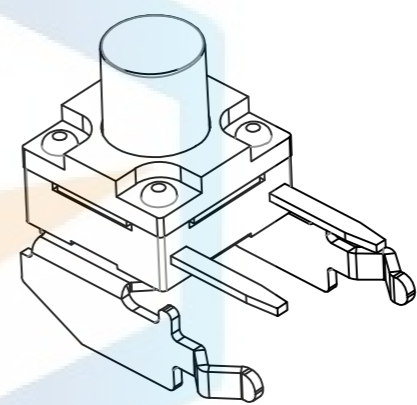
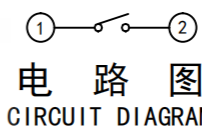
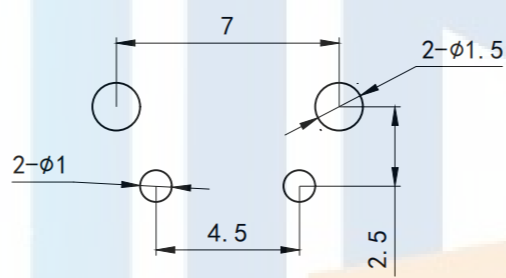
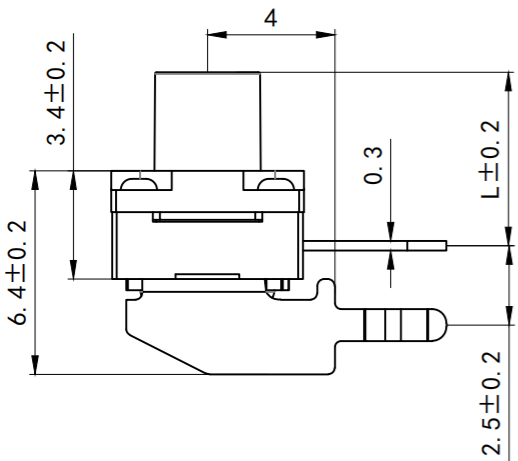
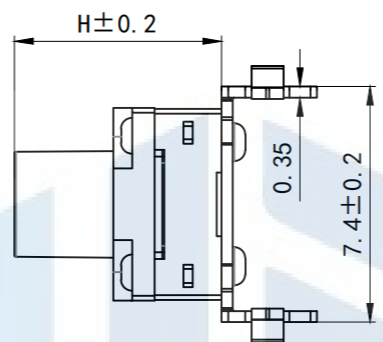
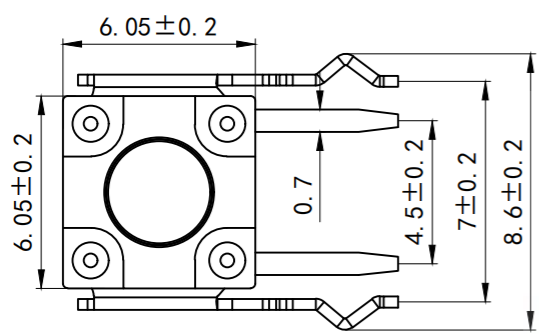


RoHS2.0
Compliant

H	L
4.3	2.95
4.5	3.45
5.0	3.95
5.5	4.45
6.0	4.95
6.5	5.45
7.0	5.95
7.5	6.45
8.0	6.95
8.5	7.45
9.0	7.95
9.5	8.45
10.0	8.95



PCB. 焊接图
PCB. WELDING DRAWING

- Main technical specifications:
1. Amount setting: 50mA DC12V
 2. Contact resistance: $\leq 50m\Omega$
 3. Operation force: $160 \pm 40gf$ & $250 \pm 40gf$
 4. Line length: $0.3 \pm 0.1mm$
 5. Insulation resistance: $\geq 100M\Omega$
 6. Electrical strength: 250V 50HZ 1Min.
 7. Life span: 100,000 Cycles
 8. Waterproof rating: IP67
 9. Anti-silver migration: 60V, 85°C, 90%RH/60H

TOLERANCE X. XXX ± 0.05 X. XX ± 0.15 X. X ± 0.20 X. ± 0.30 ANGLE $\pm 5.0^\circ$		东莞市恒祺电子科技有限公司 Dongguan Hengqi Electronic Technology Co., Ltd		
		https://www.hq-dz.com phone: 15812872448		
PROTECTON 	TITLE: 轻触开关 防水下支架		PART NO: HQ-TS-1018	
	DRAWN:		DRAWING NO: 6*6*H	
	CHECKED:	DATE: 18-10-08	UNIT: mm	SCALE: FULL
APPROVED:	DATE: 18-10-08	DATE: 18-10-08	SIZE: A4	