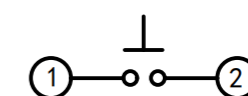
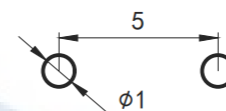
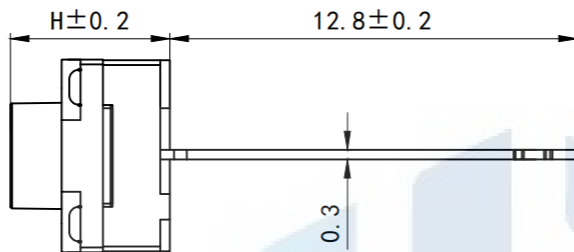
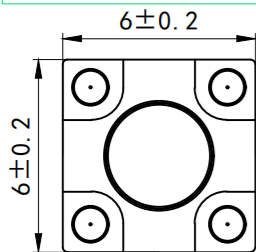


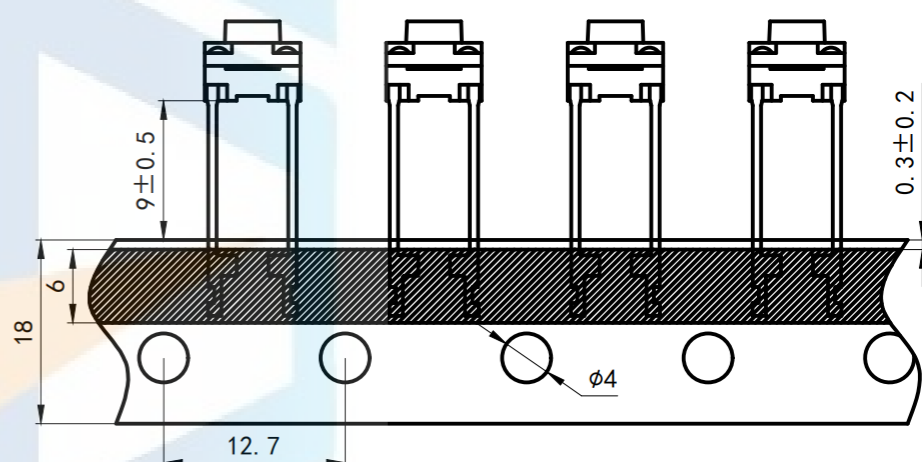
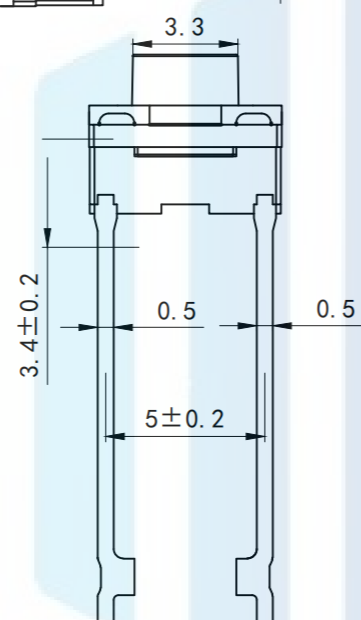
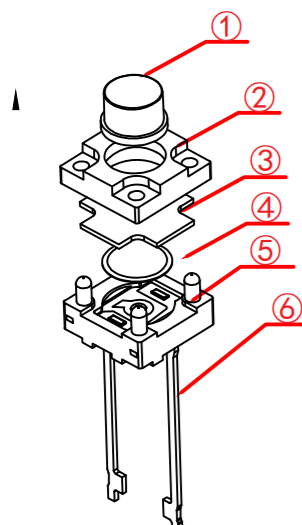
RoHS2.0  
Compliant

H	
4.1	4.3
4.5	4.8
5.0	5.5
6.0	6.5
7.0	7.5
8.0	8.5
9.0	9.5
10.0	10.5
11.0	



PCB. 焊接图

电路图



- Main technical specifications:
1. Amount setting: 50mA DC12V
  2. Contact resistance:  $\leq 50\text{m}\Omega$
  3. Operation force:  $160\&250 \pm 40\text{gf}$
  4. Line length:  $0.3 \pm 0.1\text{mm}$
  5. Insulation resistance:  $\geq 100\text{M}\Omega$
  6. Electrical strength: 250V 50HZ 1Min.
  7. Life span: 100,000 Cycles
  8. Waterproof rating: IP67
  9. Anti-silver migration: 60V, 85°C, 90%RH/60H

<b>TOLERANCE</b> X. XXX $\pm 0.05$ X. XX $\pm 0.15$ X. X $\pm 0.20$ X. $\pm 0.30$ ANGLE $\pm 5.0^\circ$		<b>东莞市恒祺电子科技有限公司</b> Dongguan Hengqi Electronic Technology Co., Ltd	
		<a href="https://www.hq-dz.com">https://www.hq-dz.com</a> phone: 15812872448	
<b>PROTECTON</b> 	<b>TITLE:</b> 轻触开关 防水中长脚		<b>PART NO:</b> HQ-TS-1017
	<b>DRAWN:</b>		<b>DRAWING NO:</b> 6*6*H
	<b>CHECKED:</b>	<b>DATE:</b> 18-10-08	<b>UNIT:</b> mm
<b>APPROVED:</b>	<b>DATE:</b> 18-10-08	<b>SCALE:</b> FULL	
	<b>DATE:</b> 18-10-08	<b>SIZE:</b> A4	