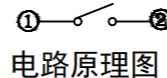
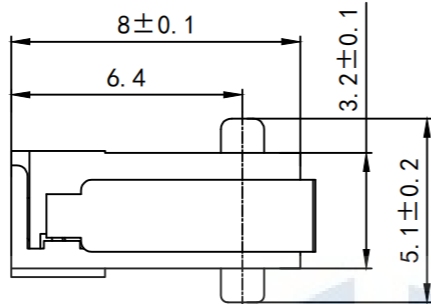
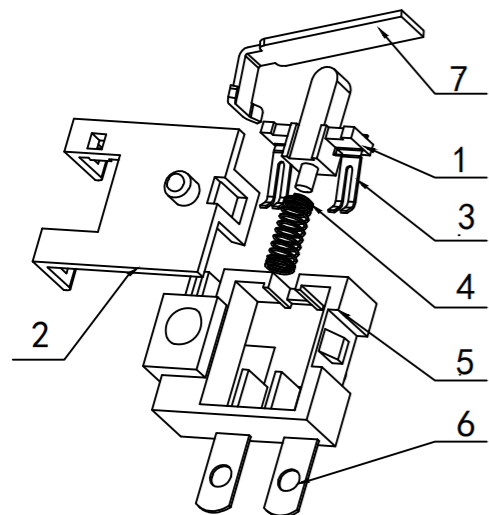
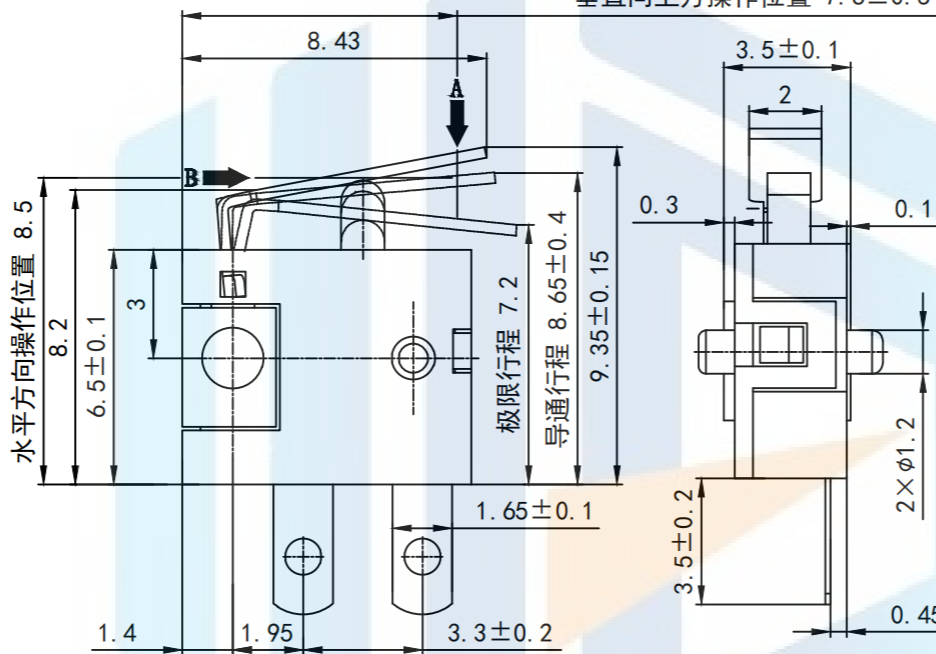
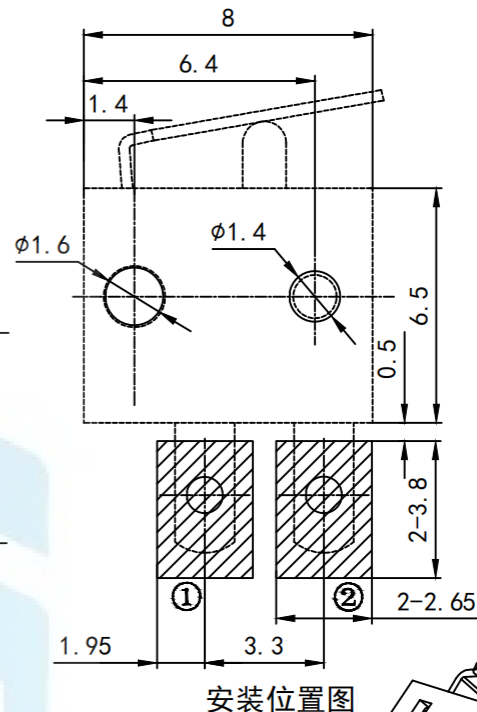


RoHS2.0
Compliant



垂直向上方操作位置 7.6 ± 0.5



水平方向操作位置 8.5

TOLERANCE

X. XXX	±0.05
X. XX	±0.15
X. X	±0.20
X.	±0.30
ANGLE	±5.0°



东莞市恒祺电子科技有限公司
Dongguan Hengqi Electronic Technology Co., Ltd

<https://www.hq-dz.com>

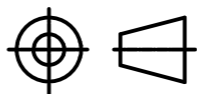
phone: 15812872448

TITLE:
限位开关

PART NO: HQ-KFC-V-103B-8.43

DRAWING NO: 8*6.5*3.2

PROTECTON



DRAWN:

CHECKED:

APPROVED:

DATE: 18-10-08

DATE: 18-10-08

DATE: 18-10-08

UNIT:
mm

SCALE:
FULL

SIZE:
A4

Technical requirements

1. Rated voltage: 12V (DC)

Rated current: 0.5A

2. Switching insulation resistance: $\geq 50M\Omega$

3. Switch contact resistance: $\leq 200m\Omega$

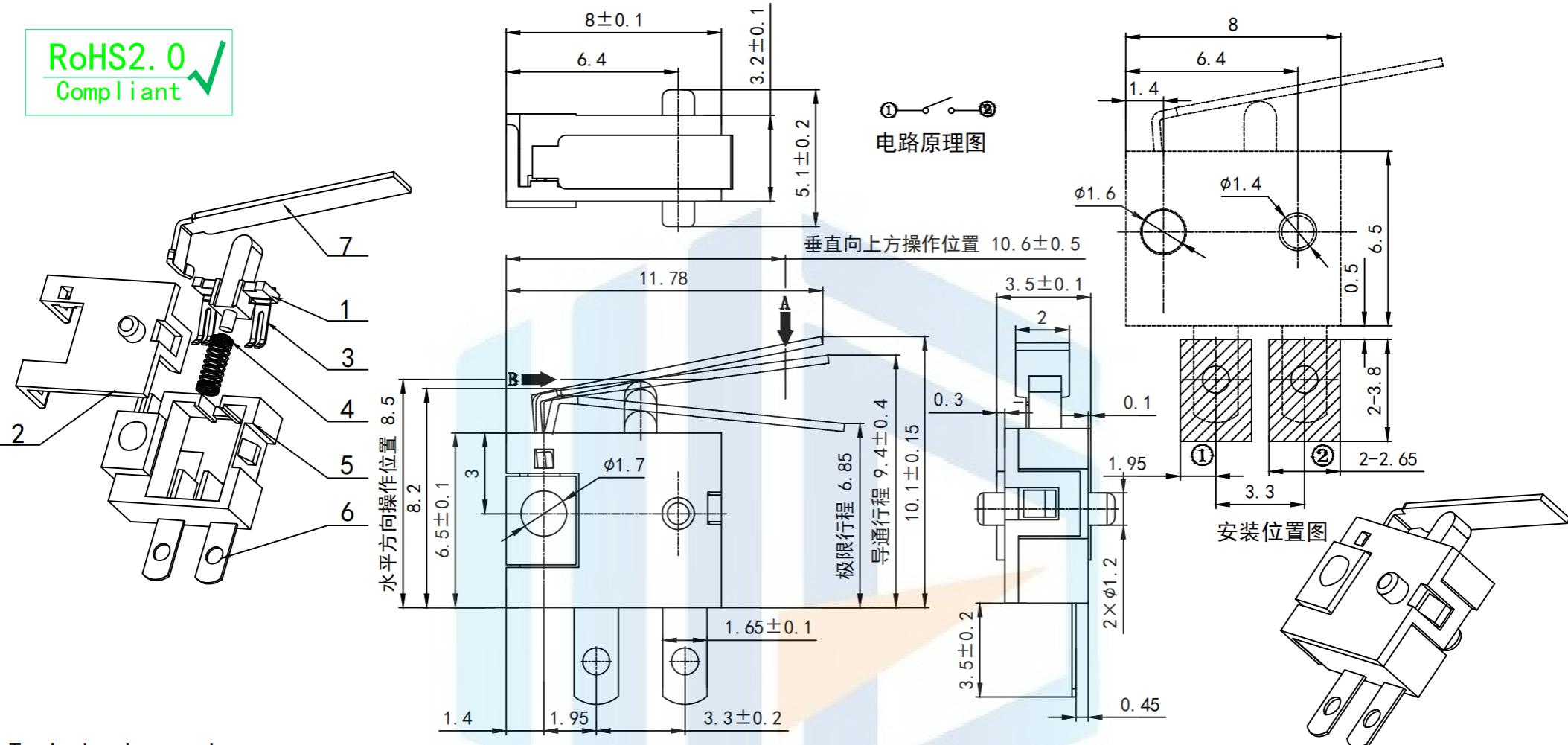
4. Withstand voltage: AC 250V(50Hz)/min

5. Driving force: $50g \pm 10g$

6. life span: 20000 cycles.

7. The unmarked dimensional tolerance is required according to GB/T1804-m level accuracy

RoHS2.0
Compliant

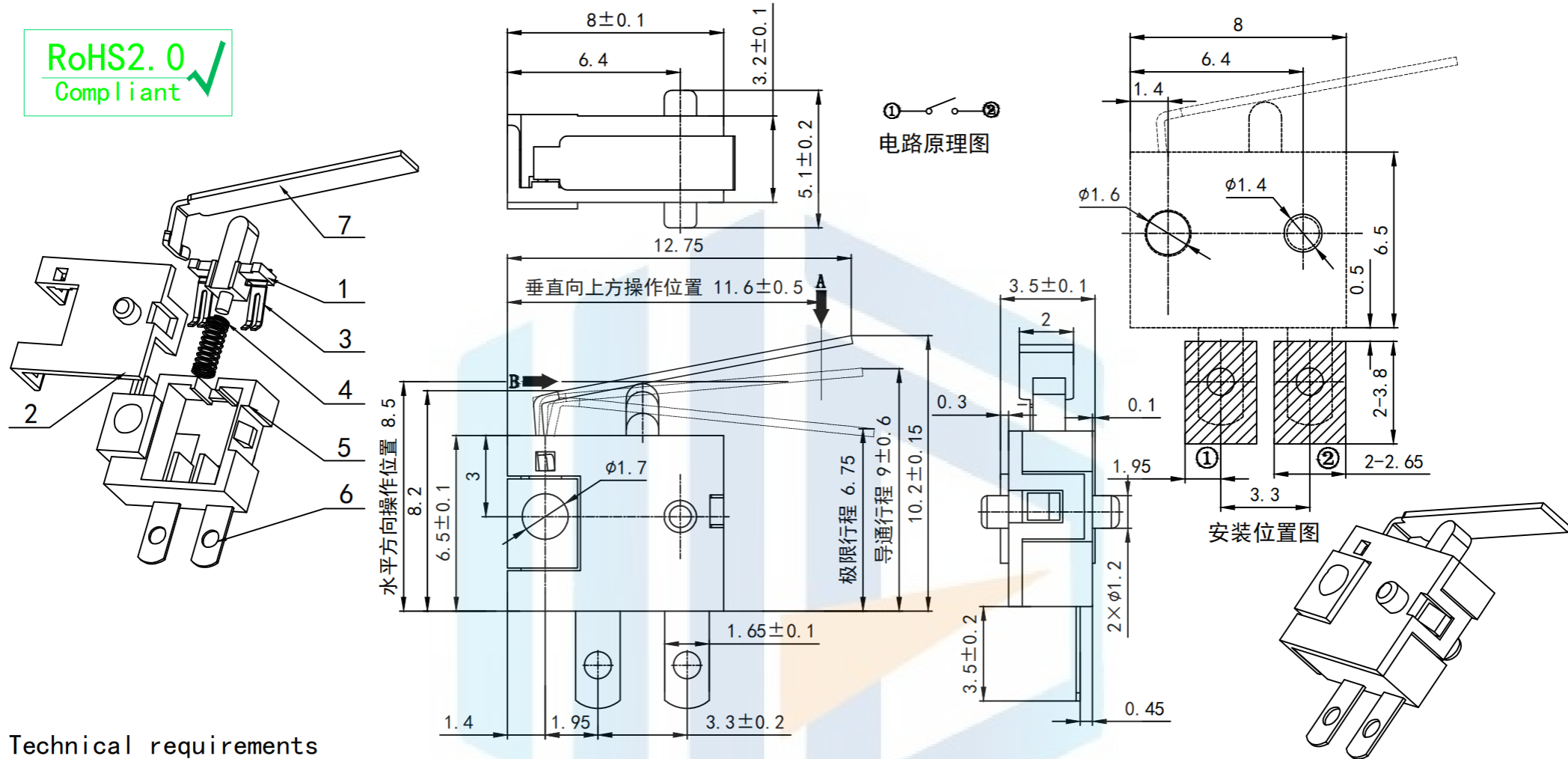


Technical requirements

1. Rated voltage: 12V (DC)
2. Rated current: 0.5A
3. Switching insulation resistance: $\geq 50M\Omega$
3. Switch contact resistance: $\leq 200m\Omega$
4. Withstand voltage: AC 250V(50Hz)/min
5. Driving force: $50g \pm 10g$
6. life span: 20000 cycles.
7. The unmarked dimensional tolerance is required according to GB/T1804-m level accuracy


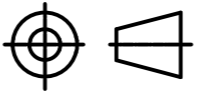
TOLERANCE			东莞市恒祺电子科技有限公司				
X. XXX	± 0.05		Dongguan Hengqi Electronic Technology Co., Ltd				
X. XX	± 0.15	https://www.hq-dz.com		phone: 15812872448			
X. X	± 0.20	TITLE: 限位开关		PART NO: HQ-KFC-V-103B-11.78			
X.	± 0.30			DRAWING NO: 8*6.5*3.2			
ANGLE	$\pm 5.0^\circ$						
PROTECTON		DRAWN:		DATE:	18-10-08	UNIT:	mm
		CHECKED:		DATE:	18-10-08	SCALE:	FULL
		APPROVED:		DATE:	18-10-08	SIZE:	A4

RoHS2.0
Compliant



Technical requirements

1. Rated voltage: 12V (DC)
2. Rated current: 0.5A
3. Switching insulation resistance: $\geq 50M\Omega$
3. Switch contact resistance: $\leq 200m\Omega$
4. Withstand voltage: AC 250V(50Hz)/min
5. Driving force: 45g±10g
6. life span:20000 cycles.
7. The unmarked dimensional tolerance is required according to GB/T1804-m level accuracy

TOLERANCE	X. XXX	±0.05		东莞市恒祺电子科技有限公司 Dongguan Hengqi Electronic Technology Co., Ltd		
	X. XX	±0.15		https://www.hq-dz.com phone:15812872448		
	X. X	±0.20	TITLE: 限位开关	PART NO:HQ-KFC-V-103B-12.75		
	X.	±0.30		DRAWING NO:8*6.5*3.2		
	ANGLE	±5.0°				
PROTECTON 	DRAWN:		DATE:	18-10-08	UNIT:	mm
	CHECKED:		DATE:	18-10-08	SCALE:	FULL
	APPROVED:		DATE:	18-10-08	SIZE:	A4