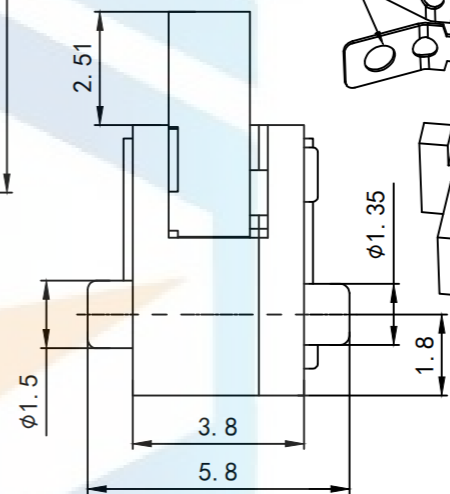
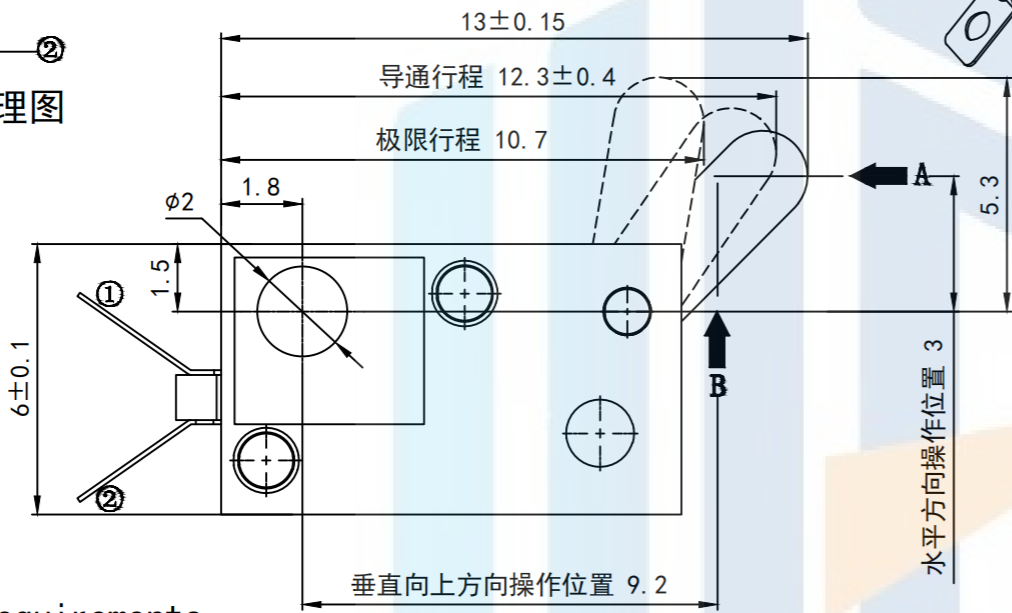
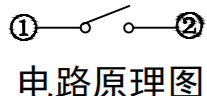
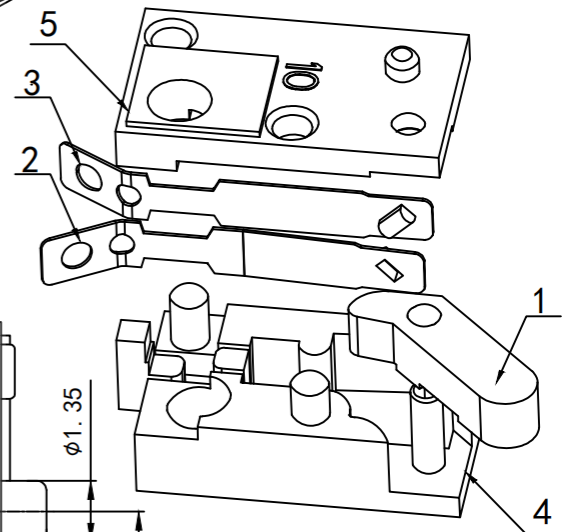
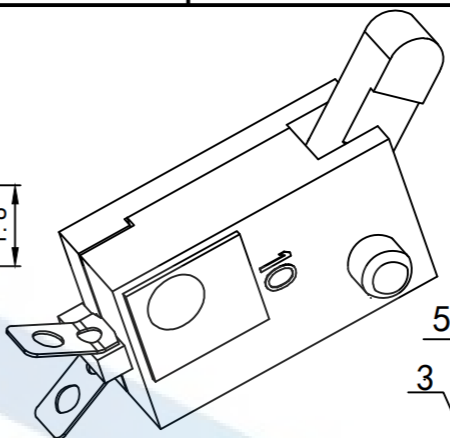
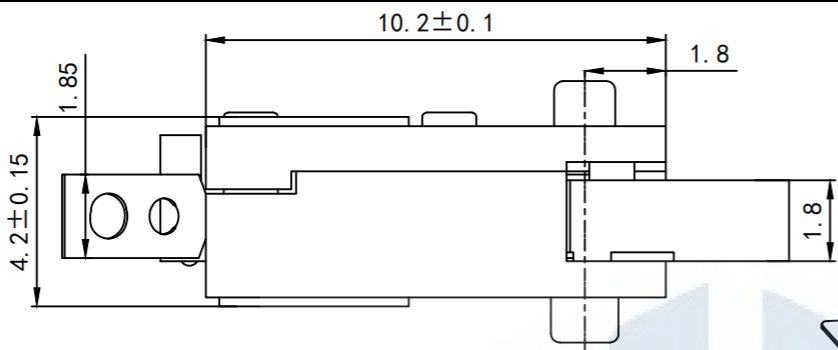


RoHS2.0
Compliant



Technical requirements

1. Rated voltage: 16V (DC)
Rated current: 0.5A
2. Switching insulation resistance: $\geq 50M\Omega$
3. Switch contact resistance: $\leq 200m\Omega$
4. Withstand voltage: AC 250V (50Hz)/min
5. Driving force: $20g \pm 10g$
6. life span: 10000 cycles.
7. The unmarked dimensional tolerance is required according to GB/T1804-m level accuracy

TOLERANCE	X. XXX	± 0.05		东莞市恒祺电子科技有限公司 Dongguan Hengqi Electronic Technology Co., Ltd	
	X. XX	± 0.15		https://www.hq-dz.com phone: 15812872448	
PROTECTON	X. X	± 0.20	TITLE: 限位开关	PART NO: HQ-KFC-V-101	
	X.	± 0.30		DRAWING NO: 10.2*4.2*6	
	ANGLE	$\pm 5.0^\circ$		DRAWN:	DATE: 18-10-08
			CHECKED:	DATE: 18-10-08	SCALE: FULL
			APPROVED:	DATE: 18-10-08	SIZE: A4