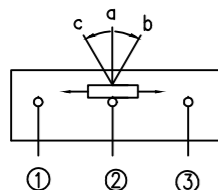
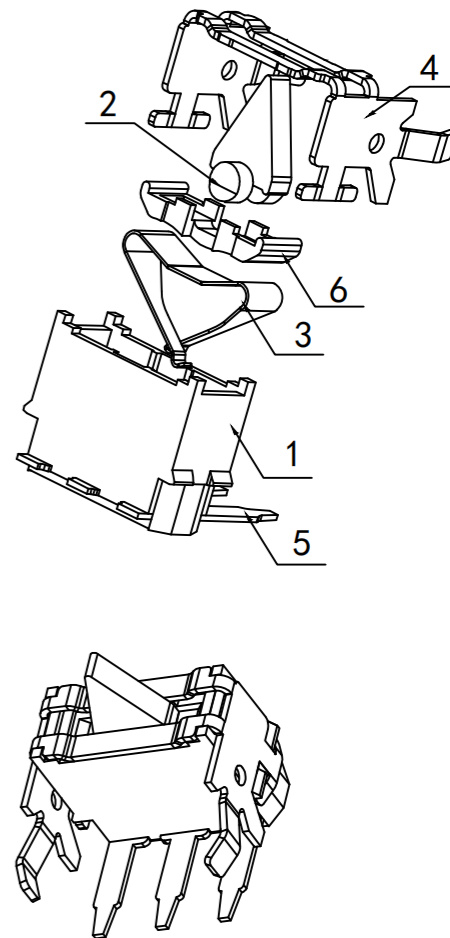
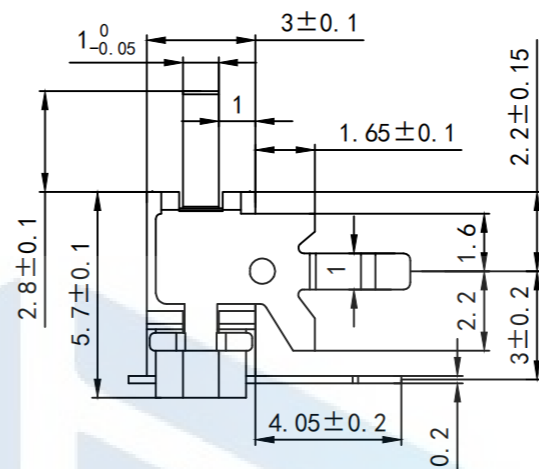
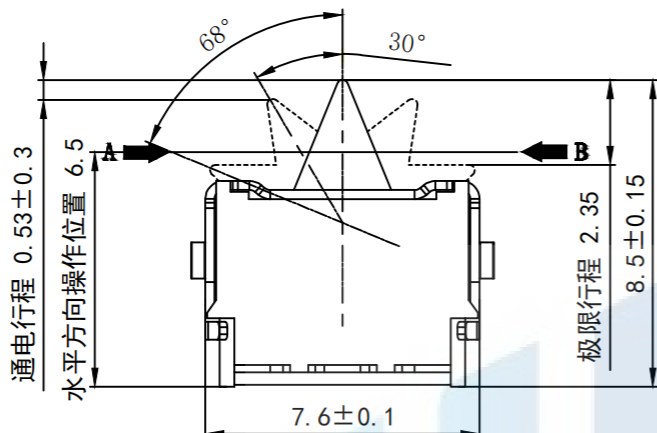
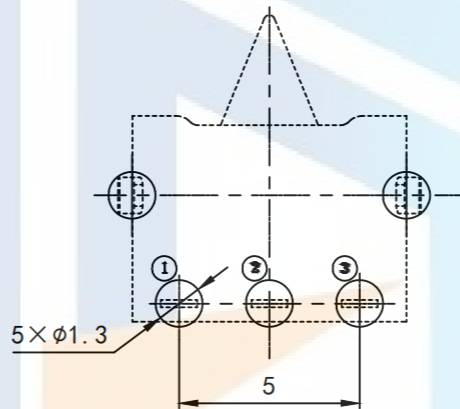
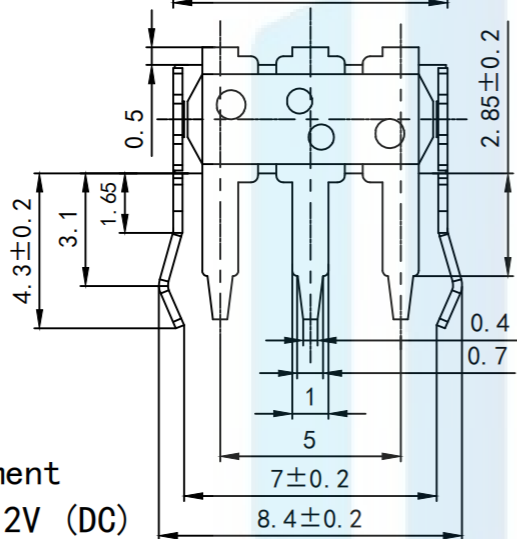


RoHS2.0
Compliant




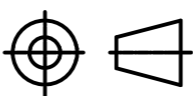
电路图



安装尺寸

Technical requirement

- 1, Rated voltage:12V (DC)
Rated current:0.5A
- 2, Switch voltage:AC100V 1 minute, no breakdown and flashover phenomenon
- 3, Switch insulation resistance: $\geq 50M\Omega$
- 4, Switch contact resistance: $\leq 100m\Omega$
- 5, Switch action force: $25g \pm 10g$
- 6, Electrical life requirements of the switch ≥ 50000
- 7, Did not note the size tolerance according to GB/T1804-m class accuracy requirements

TOLERANCE	X. XXX	± 0.05		东莞市恒祺电子科技有限公司 Dongguan Hengqi Electronic Technology Co., Ltd	
	X. XX	± 0.15		https://www.hq-dz.com phone:15812872448	
X. X ± 0.20 X. ± 0.30 ANGLE $\pm 5.0^\circ$	TITLE: 限位开关		PART NO:HQ-KFC-V-17SD		
	PROTECTON		DRAWING NO:7.6*5.7*3		
		DRAWN:	DATE:	18-10-08	UNIT: mm
	CHECKED:	DATE:	18-10-08	SCALE: FULL	
	APPROVED:	DATE:	18-10-08	SIZE: A4	