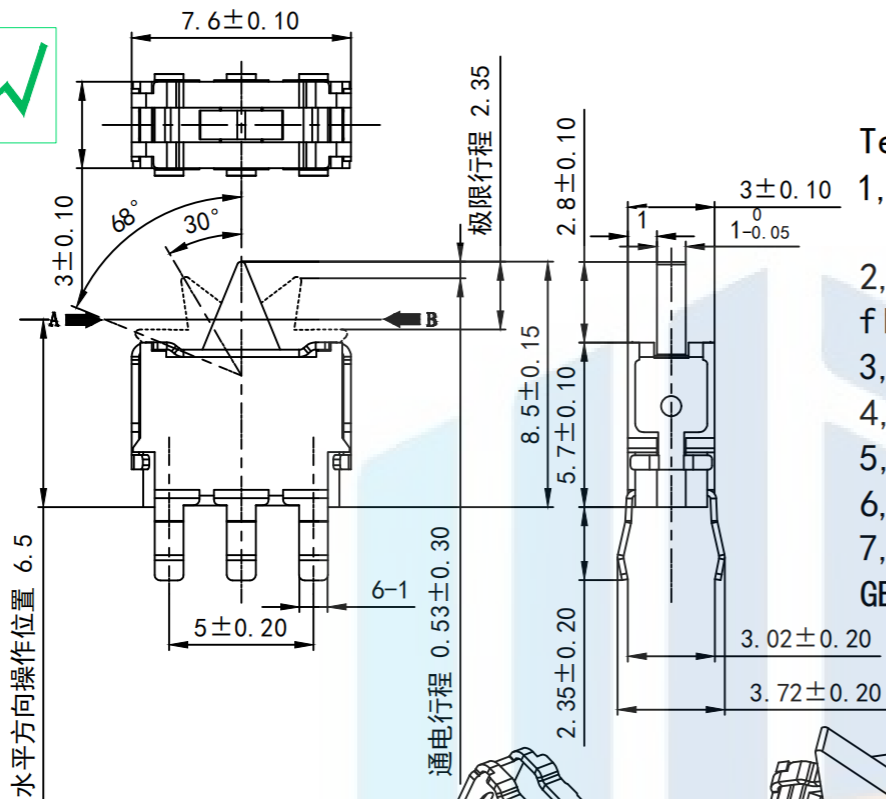
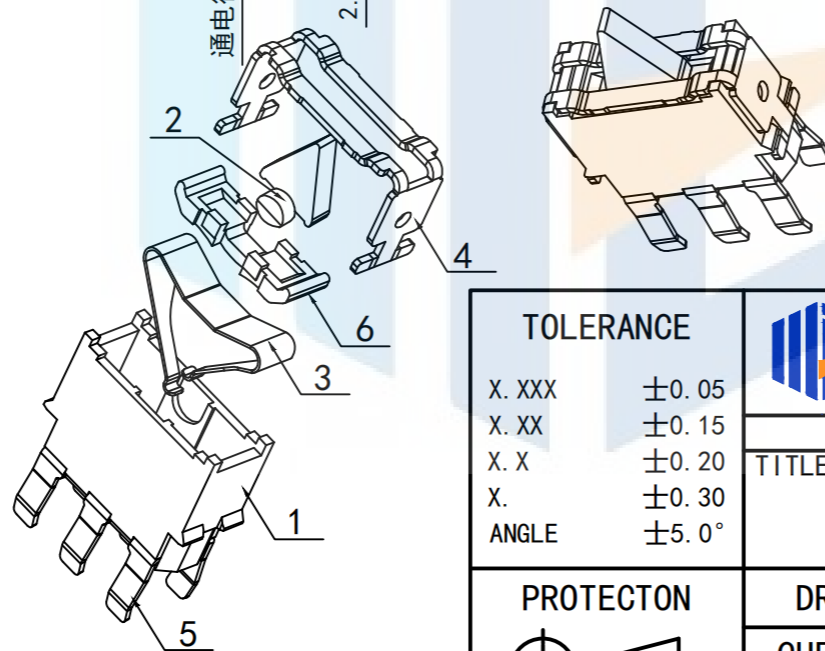
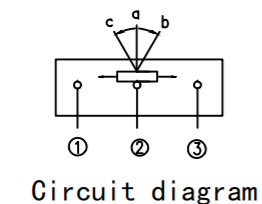
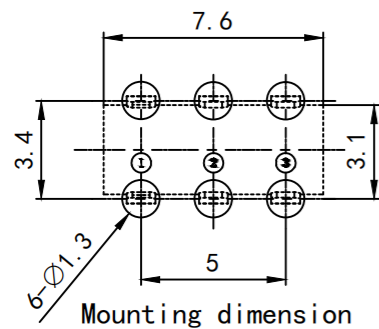


RoHS2.0
Compliant



Technical requirement

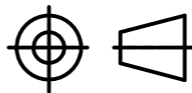
- 1, Rated voltage: 12V (DC)
Rated current: 0.5A
- 2, Switch voltage: AC100V 1 minute, no breakdown and flashover phenomenon
- 3, Switch insulation resistance: $\geq 50M\Omega$
- 4, Switch contact resistance: $\leq 100m\Omega$
- 5, Switch action force: $25g \pm 10g$
- 6, Electrical life requirements of the switch ≥ 50000
- 7, Did not note the size tolerance according to GB/T1804-m class accuracy requirements



TOLERANCE

X. XXX	±0.05
X. XX	±0.15
X. X	±0.20
X.	±0.30
ANGLE	±5.0°

PROTECTON



东莞市恒祺电子科技有限公司
Dongguan Hengqi Electronic Technology Co., Ltd

<https://www.hq-dz.com>

phone: 15812872448

TITLE:

限位开关

PART NO: HQ-KFC-V-17S

DRAWING NO: 7.6*5.7*3

DRAWN:

DATE:

18-10-08

UNIT:
mm

CHECKED:

DATE:

18-10-08

SCALE:
FULL

APPROVED:

DATE:

18-10-08

SIZE:
A4