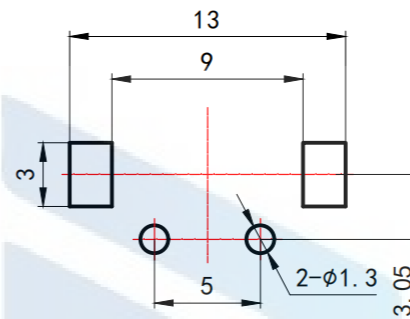
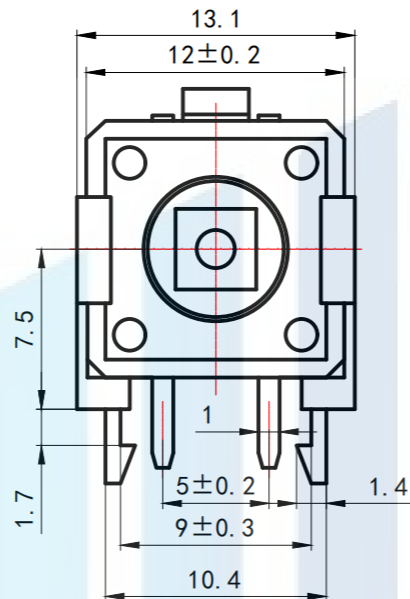
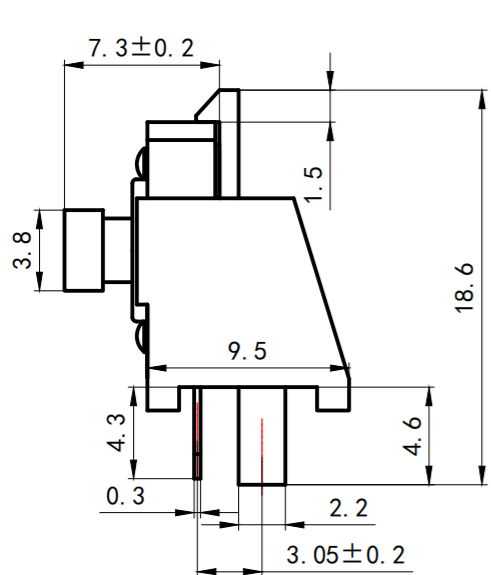
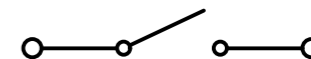
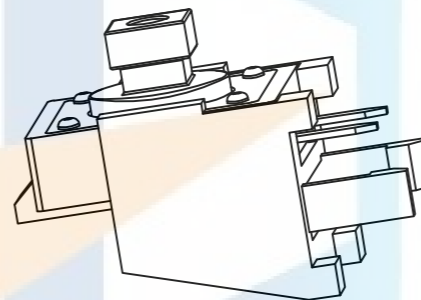


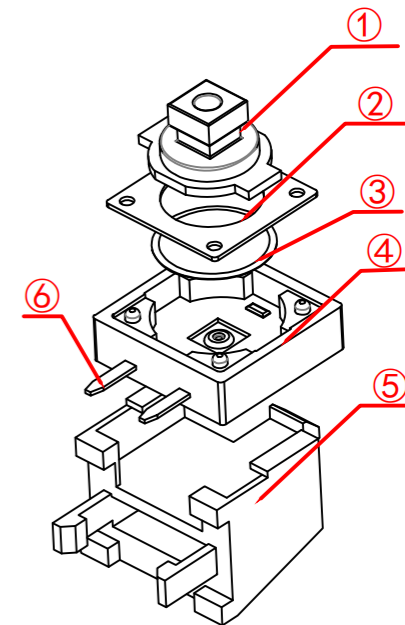
RoHS2.0
Compliant



印制线路板图



电路图



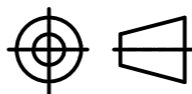
Main technical specifications:

1. Amount setting: 50mA DC12V
2. Contact resistance: $\leq 50\text{m}\Omega$
3. Operation force: $250 \pm 40\text{gf}$
4. Line length: $0.35 \pm 0.1\text{mm}$
5. Insulation resistance: $\geq 100\text{M}\Omega$
6. Electrical strength: 250V 50HZ 1Min.
7. Life span: 100,000 Cycles

TOLERANCE

X. XXX	± 0.05
X. XX	± 0.15
X. X	± 0.20
X.	± 0.30
ANGLE	$\pm 5.0^\circ$

PROTECTON



东莞市恒祺电子科技有限公司

Dongguan Hengqi Electronic Technology Co., Ltd

<https://www.hq-dz.com>

phone: 15812872448

TITLE:

轻触开关 支架方头

PART NO: HQ-TS-G008

DRAWING NO: 12*12*7.3

DRAWN:

CHECKED:

APPROVED:

DATE:

DATE:

DATE:

18-10-08

18-10-08

18-10-08

UNIT:
mm

SCALE:
FULL

SIZE:
A4