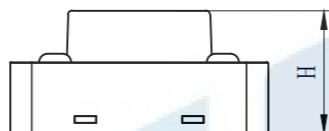
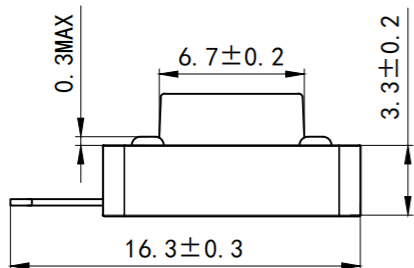
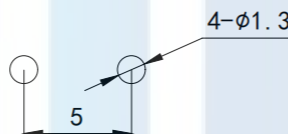
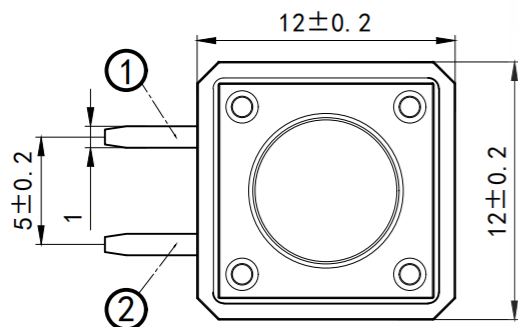


RoHS2.0
Compliant

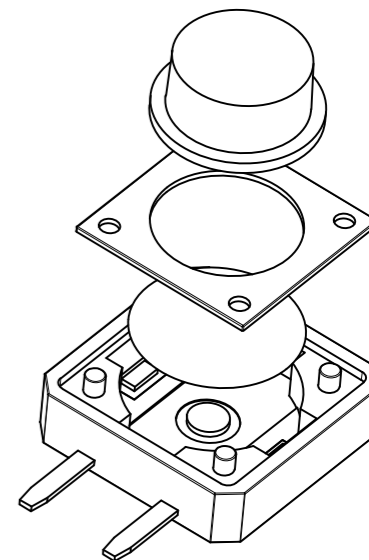
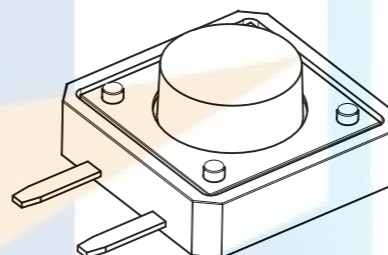
H	
4.3	4.5
5.0	5.5
6.0	6.5
.....
18.0	18.5
19.0	19.5



电路图



PCB. 焊接图



Main technical specifications:

1. Amount setting: 50mA DC12V
2. Contact resistance: $\leq 50m\Omega$
3. Operation force: $250 \pm 40gf$
4. Line length: $0.35 \pm 0.1mm$
5. Insulation resistance: $\geq 100M\Omega$
6. Electrical strength: 250V 50HZ 1Min.
7. Life span: 100,000 Cycles

TOLERANCE X. XXX ± 0.05 X. XX ± 0.15 X. X ± 0.20 X. ± 0.30 ANGLE $\pm 5.0^\circ$		东莞市恒祺电子科技有限公司 Dongguan Hengqi Electronic Technology Co., Ltd		
		https://www.hq-dz.com phone: 15812872448		
PROTECTON 	TITLE: 轻触开关		PART NO: HQ-TS-G002	
	DRAWN:		DRAWING NO: 12*12*H边二脚	
	CHECKED:	DATE: 18-10-08	UNIT: mm	SCALE: FULL
APPROVED:	DATE: 18-10-08	DATE: 18-10-08	SIZE: A4	