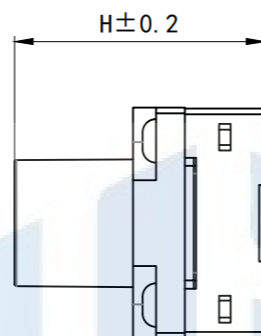
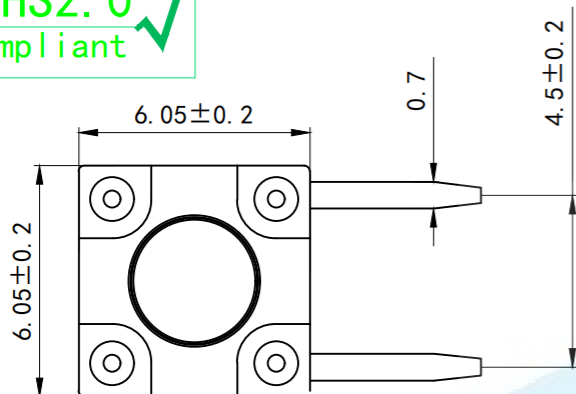
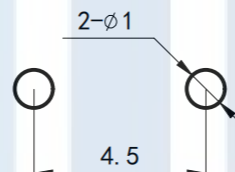
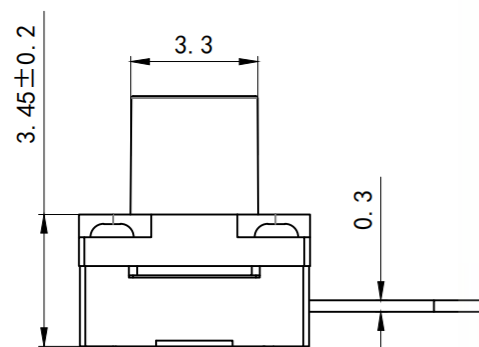


RoHS2.0
Compliant

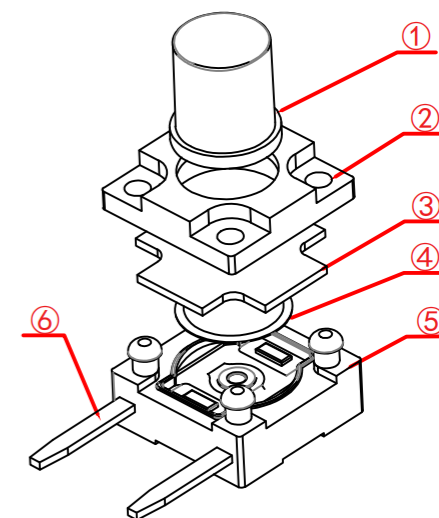
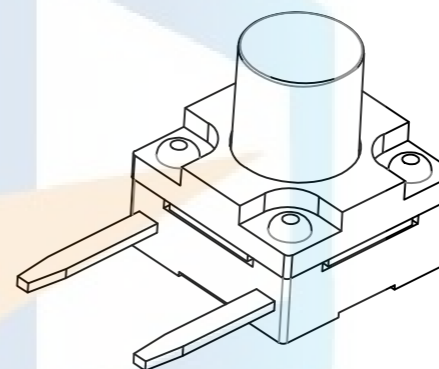
H	
4.3	4.5
5.0	5.5
6.0	6.5
7.0	7.5
8.0	8.5
9.0	9.5



电路图
CIRCUIT DIAGRAM



PCB. 焊接图
PCB. WELDING DRAWING



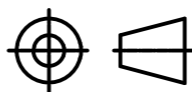
Main technical specifications:

- Amount setting: 50mA DC12V
- Contact resistance: $\leq 50\text{m}\Omega$
- Operation force: $250 \pm 40\text{gf}$
- Line length: $0.25 \pm 0.1\text{mm}$
- Insulation resistance: $\geq 100\text{M}\Omega$
- Electrical strength: 250V 50HZ 1Min.
- Life span: 100,000 Cycles
- Waterproof rating: IP67
- Anti-silver migration: 60V, 85°C, 90%RH/60H

TOLERANCE

X. XXX	± 0.05
X. XX	± 0.15
X. X	± 0.20
X.	± 0.30
ANGLE	$\pm 5.0^\circ$

PROTECTON



东莞市恒祺电子科技有限公司

Dongguan Hengqi Electronic Technology Co., Ltd

<https://www.hq-dz.com>

phone: 15812872448

TITLE:

轻触开关 防水边二脚

PART NO: HQ-TS-1016

DRAWING NO: 6*6*H

DRAWN:

DATE:

18-10-08

UNIT:
mm

CHECKED:

DATE:

18-10-08

SCALE:
FULL

APPROVED:

DATE:

18-10-08

SIZE:
A4