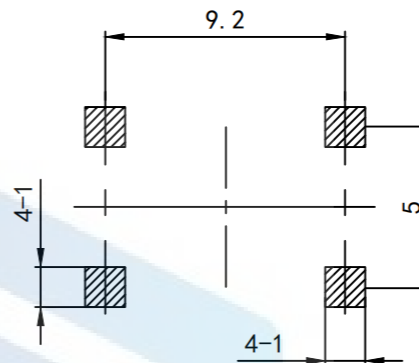
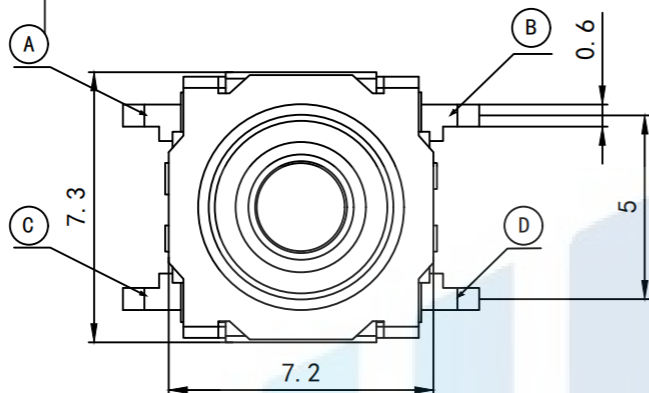
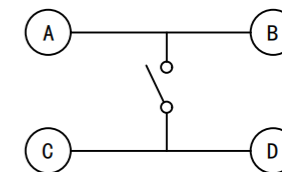


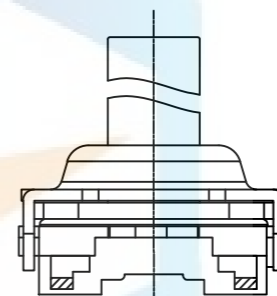
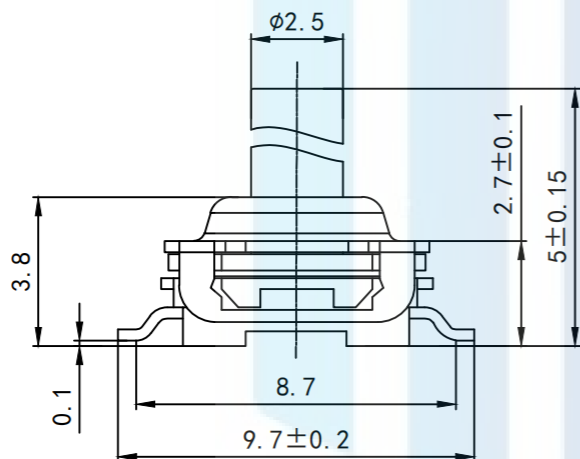
RoHS2.0  
Compliant



印制线路板  
P.C.B layout



电路简图  
SCHEMATIC



TOLERANCE

X. XXX	±0.05
X. XX	±0.15
X. X	±0.20
X.	±0.30
ANGLE	±5.0°



东莞市恒祺电子科技有限公司  
Dongguan Hengqi Electronic Technology Co., Ltd

<https://www.hq-dz.com>

phone: 15812872448

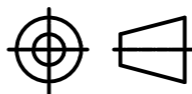
TITLE:

轻触开关 防水

PART NO: HQ-TS-1010

DRAWING NO: 7\*7\*5

PROTECTON



DRAWN:

CHECKED:

APPROVED:

DATE:

DATE:

DATE:

18-10-08

18-10-08

18-10-08

UNIT:  
mm  
SCALE:  
FULL  
SIZE:  
A4

1. Rating: DC12V 50mA.
2. Travel:  $0.35 \pm 0.1$  mm.
3. Operating Force:  $250 + 50$  gf
4. Contact Resistance:  $100 \text{ m}\Omega$  Max.
5. Life: 100,000 Cycles Min.