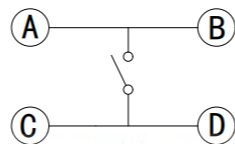
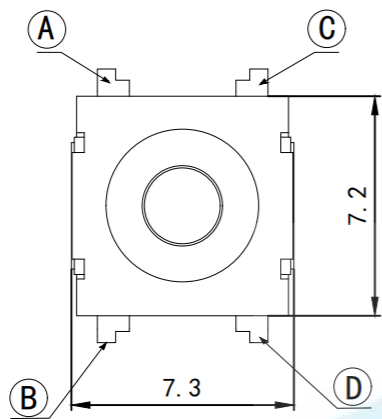
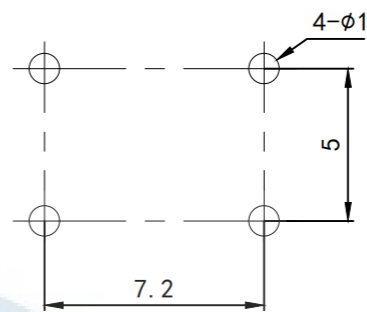


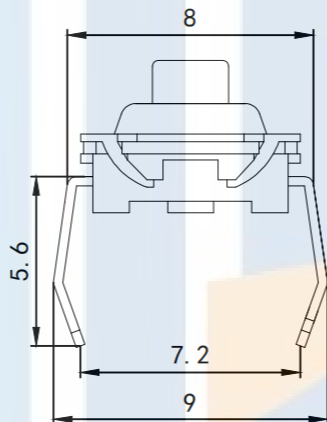
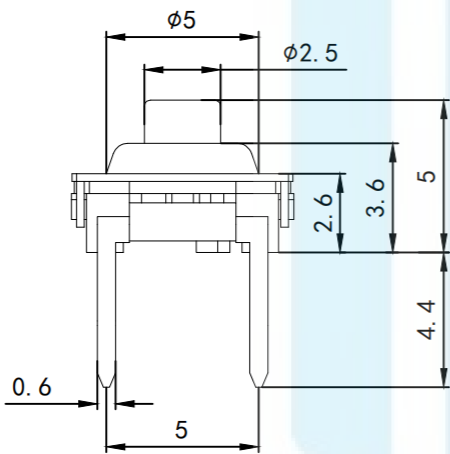
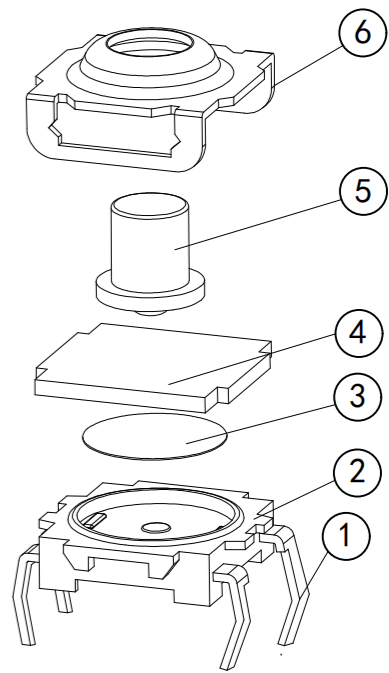
RoHS2.0  
Compliant ✓




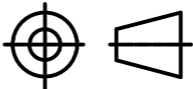
SCHEMATIC



P. C. B layout



1. Rating:DC12V 50mA.
2. Travel:0.35+0.1mm
3. Operating Force:250+50gf
4. Contact Resistance:100m 2 Max
5. Life:100,000 Cycles Min.

<b>TOLERANCE</b> X. XXX ±0.05 X. XX ±0.15 X. X ±0.20 X. ±0.30 ANGLE ±5.0°		 <b>东莞市恒祺电子科技有限公司</b> Dongguan Hengqi Electronic Technology Co., Ltd	
		<a href="https://www.hq-dz.com">https://www.hq-dz.com</a> phone:15812872448	
		<b>TITLE:</b> 轻触开关	<b>PART NO:</b> HQ-TS-1008
		<b>DRAWING NO:</b> 7*7*5	
<b>PROTECTON</b> 		<b>DRAWN:</b>	<b>DATE:</b> 18-10-08
		<b>CHECKED:</b>	<b>DATE:</b> 18-10-08
		<b>APPROVED:</b>	<b>DATE:</b> 18-10-08
			<b>UNIT:</b> mm
			<b>SCALE:</b> FULL
			<b>SIZE:</b> A4