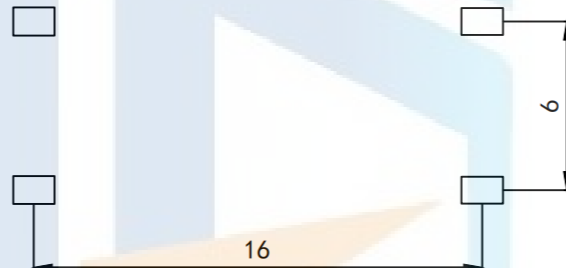
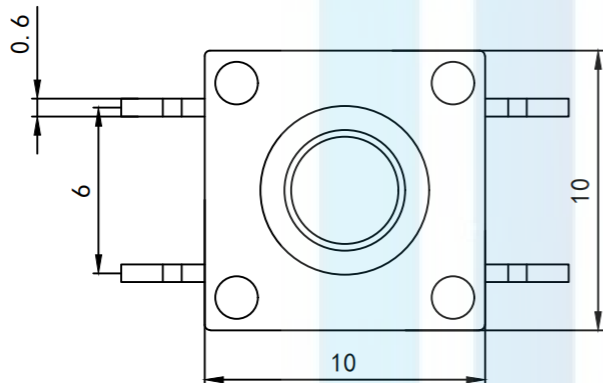
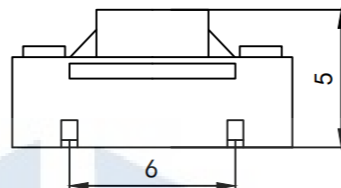
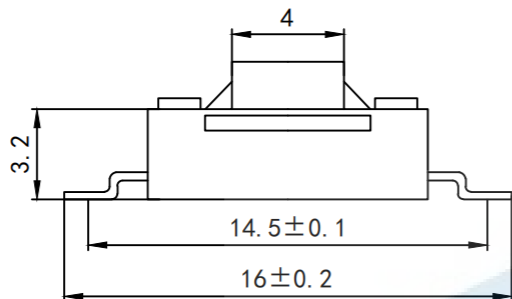
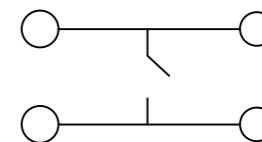


RoHS2.0  
Compliant ✓



安装尺寸



电路图

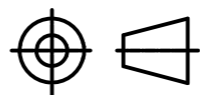
Technical Requirements:

1. The technical requirements of this product are detailed in the "Product Specification";
2. Tolerance not noted: 0.1mm; H=5mm; environmental protection

TOLERANCE

X. XXX	±0.05
X. XX	±0.15
X. X	±0.20
X.	±0.30
ANGLE	±5.0°

PROTECTON



东莞市恒祺电子科技有限公司

Dongguan Hengqi Electronic Technology Co., Ltd

<https://www.hq-dz.com>

phone:15812872448

TITLE:

轻触开关

PART NO:HQ-TS-1006

DRAWING NO:10\*10\*5

DRAWN:

DATE:

18-10-08

UNIT:  
mm

CHECKED:

DATE:

18-10-08

SCALE:  
FULL

APPROVED:

DATE:

18-10-08

SIZE:  
A4