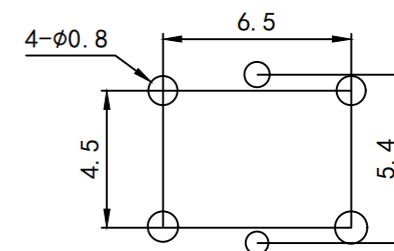
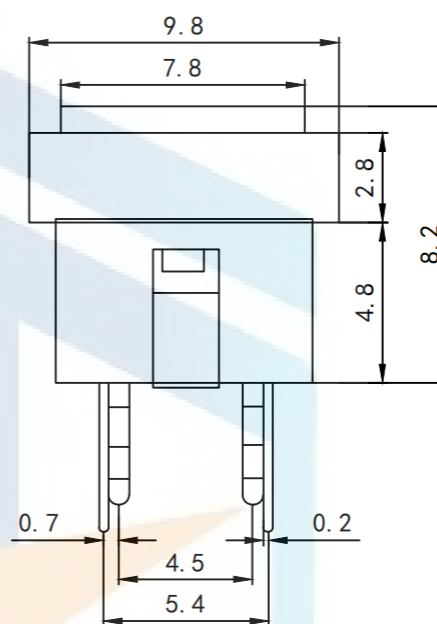
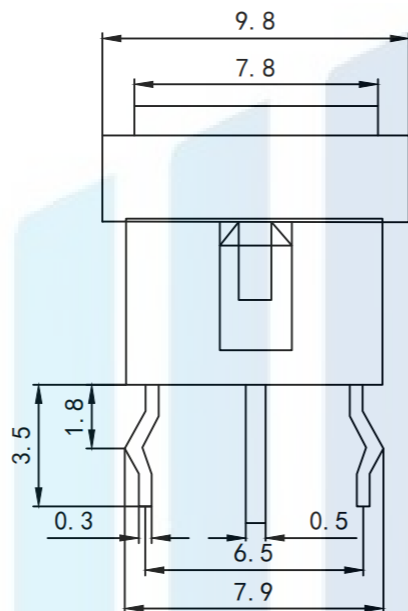
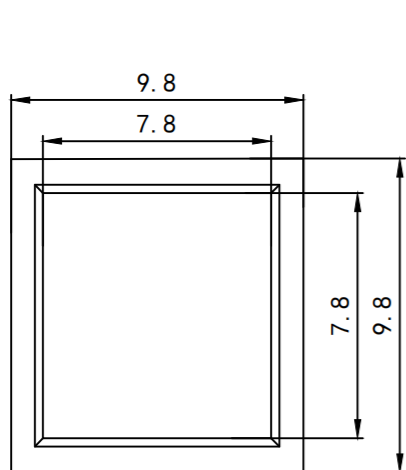
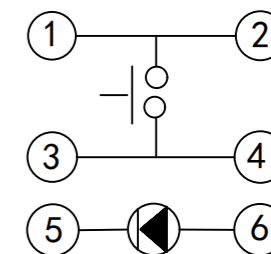


RoHS2.0  
Compliant



P. C. B. Land Pattern



Circuit Diagram

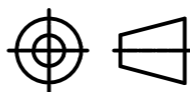
**SPECIFICATION**

1. Temperature  $-30\sim+85$
2. Rated Load DC 12V50mA
3. Contact Resistance 0.051
4. Insulation Resistance 100MI
5. Withstand Voltage AC 250V(50Hz)/min
6. Actuating Force
7. Life 100000

**TOLERANCE**

X. XXX	$\pm 0.05$
X. XX	$\pm 0.15$
X. X	$\pm 0.20$
X.	$\pm 0.30$
ANGLE	$\pm 5.0^\circ$

**PROTECTON**



东莞市恒祺电子科技有限公司

Dongguan Hengqi Electronic Technology Co., Ltd

<https://www.hq-dz.com>

phone:15812872448

TITLE:

带灯轻触开关

PART NO:HQ-TS-H008

DRAWING NO:7.8\*7.8\*8.2

DRAWN:

DATE:

18-10-08

UNIT:  
mm

CHECKED:

DATE:

18-10-08

SCALE:  
FULL

APPROVED:

DATE:

18-10-08

SIZE:  
A4