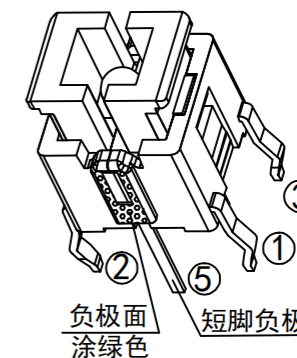
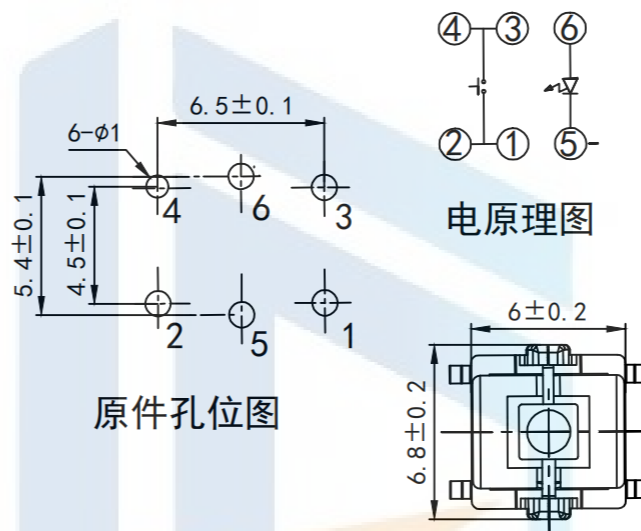
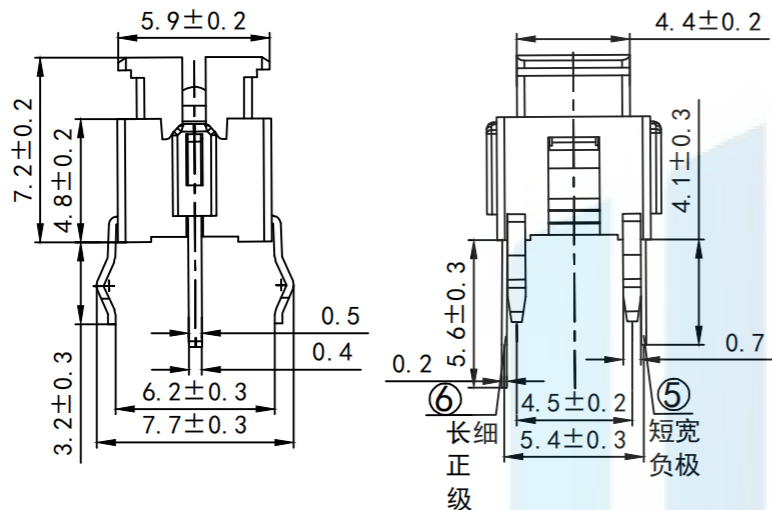

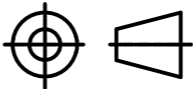


RoHS2.0  
Compliant



Main Specifications:

1. climate Grade:  $25^{\circ}\text{C}$  to  $+75^{\circ}\text{C}$
2. Rated Valmes: 30V DC, 30mA
3. Contact Resistance:  $<0.05 \Omega$
4. Dielectric Strength: 250V AC
5. Insulation Resistance:  $>100\text{M}\Omega$
6. Operating Force:  $260\text{gf} + 50\text{gf}$
7. Life: 10W times
8. Salt mist Test: 12+1 bours.

TOLERANCE		东莞市恒祺电子科技有限公司	
		Dongguan Hengqi Electronic Technology Co., Ltd	
X. XXX $\pm 0.05$ X. XX $\pm 0.15$ X. X $\pm 0.20$ X. $\pm 0.30$ ANGLE $\pm 5.0^{\circ}$	<a href="https://www.hq-dz.com">https://www.hq-dz.com</a>		phone: 15812872448
	TITLE: 带灯轻触开关		PART NO: HQ-TS-H002
PROTECTON 	DRAWN:	DATE:	18-10-08
	CHECKED:	DATE:	18-10-08
	APPROVED:	DATE:	18-10-08
		UNIT:	mm
		SCALE:	FULL
		SIZE:	A4