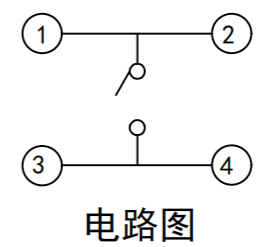
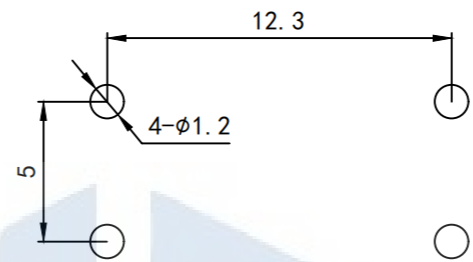
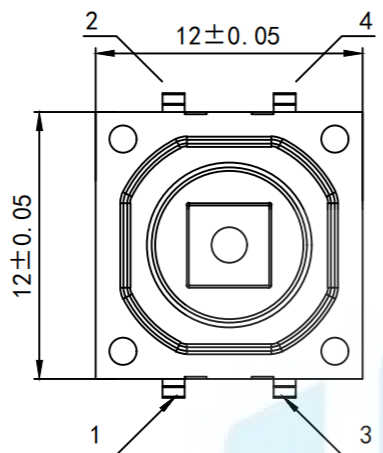
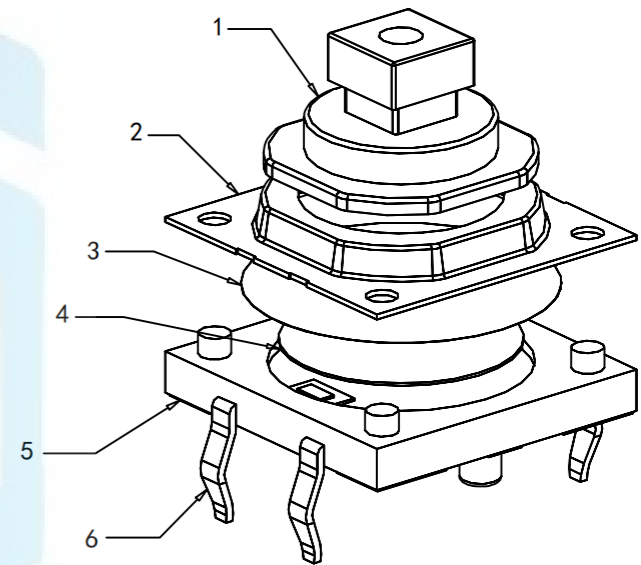
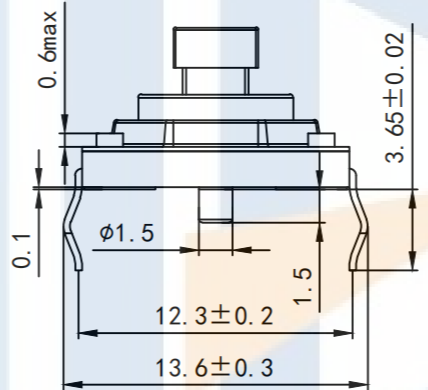
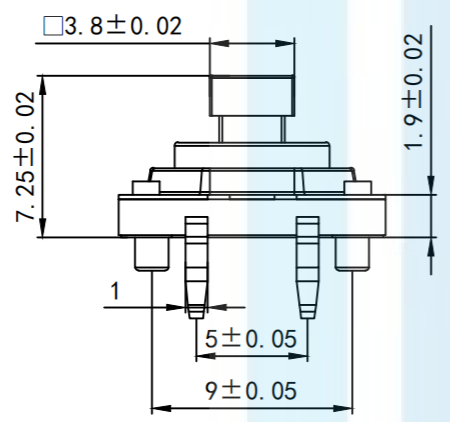


RoHS2.0
Compliant


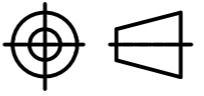


PCB线路板图



Key Technical Specifications:

1. Rated specification: DC12V/50mA
2. Contact resistance: $\leq 50\text{m}\Omega$
3. Insulation resistance: $\geq 100\text{M}\Omega$
4. Withstand voltage: AC250V/min
5. Action force: 250+50gf
6. Operating temperature: $-30^{\circ}\text{C} \sim +70^{\circ}\text{C}$
7. Service life: 1,000,000 cycles

TOLERANCE X. XXX ±0.05 X. XX ±0.15 X. X ±0.20 X. ±0.30 ANGLE ±5.0°	 东莞市恒祺电子科技有限公司 Dongguan Hengqi Electronic Technology Co., Ltd			
	https://www.hq-dz.com phone: 15812872448			
PROTECTON 	TITLE: 防水轻触开关		PART NO: HQ-TS-G012	
	DRAWN:		DRAWING NO: 12*12*1.9	
	CHECKED:		DATE: 18-10-08	UNIT: mm
APPROVED:		DATE: 18-10-08	SCALE: FULL	
		DATE: 18-10-08	SIZE: A4	