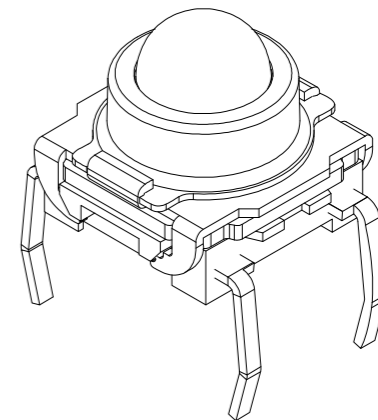
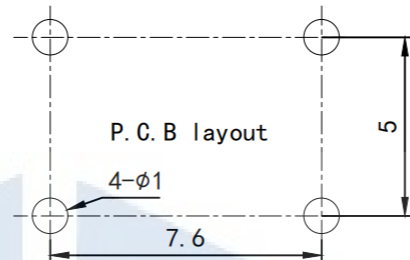
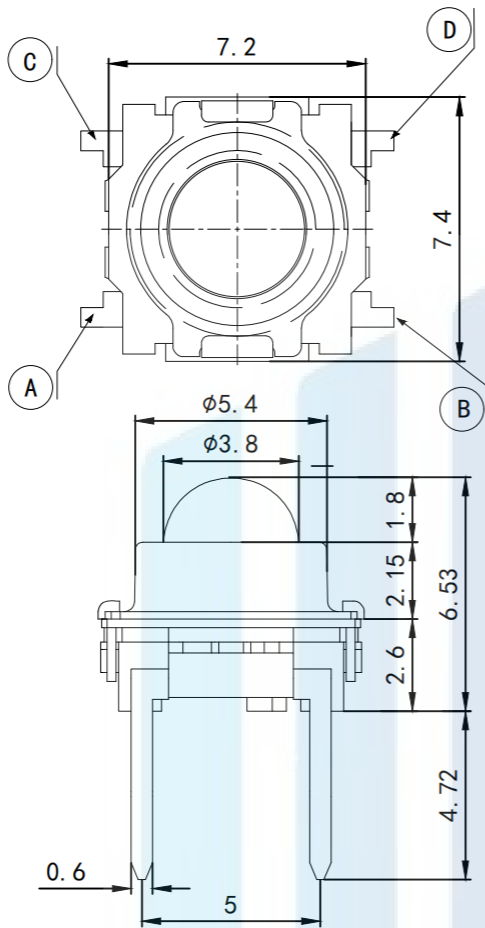
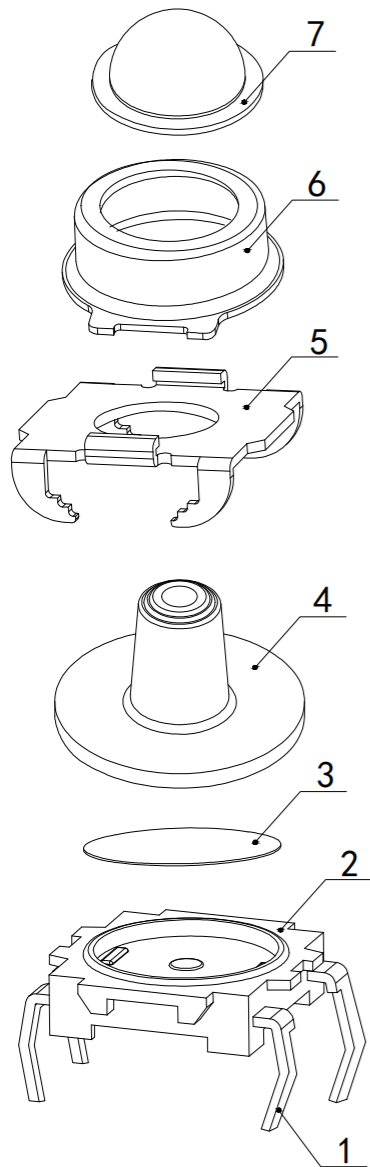
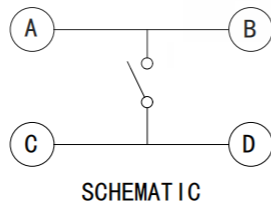


RoHS2.0
Compliant



1. Rating: DC12V 50mA
2. Travel: 0.35 ± 0.1 mm
3. Operating Force: 180 ± 50 gf
4. Contact Resistance: $100\text{m}\Omega$ MAX
5. Life: 100,000 Cycles Min



TOLERANCE X. XXX ± 0.05 X. XX ± 0.15 X. X ± 0.20 X. ± 0.30 ANGLE $\pm 5.0^\circ$		东莞市恒祺电子科技有限公司 Dongguan Hengqi Electronic Technology Co., Ltd				
		https://www.hq-dz.com phone: 15812872448				
PROTECTON 		TITLE: 轻触开关 防水防尘		PART NO: HQ-TS-F007		
		DRAWN:		DATE: 18-10-08		UNIT: mm
		CHECKED:		DATE: 18-10-08		SCALE: FULL
APPROVED:		DATE: 18-10-08		SIZE: A4		