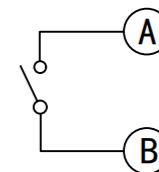
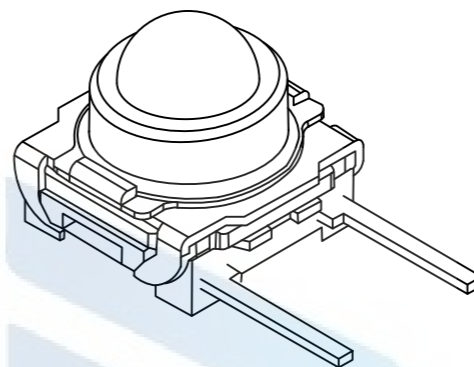
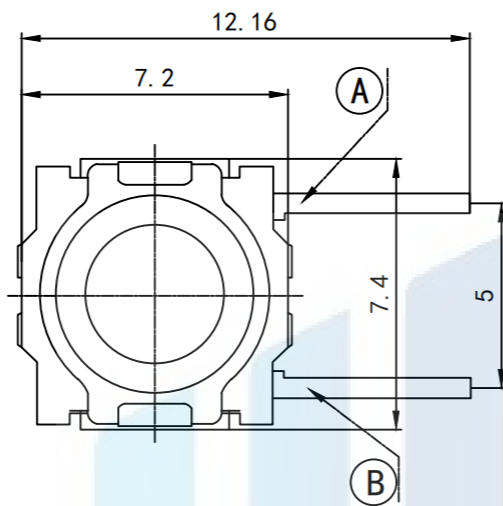
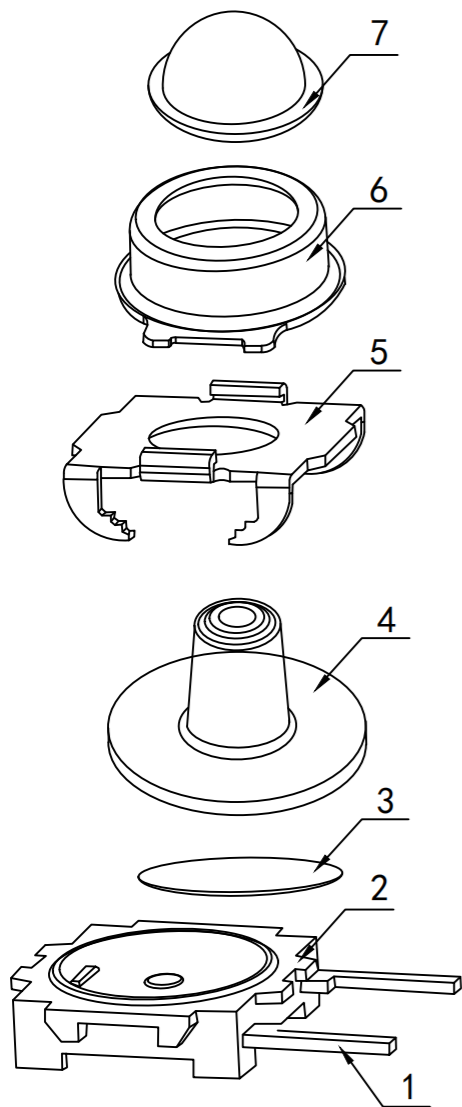
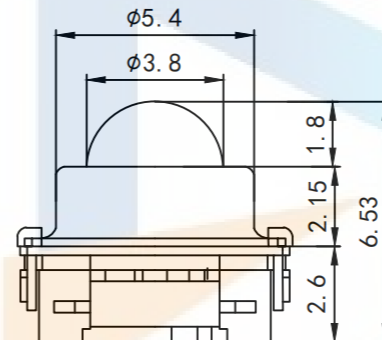
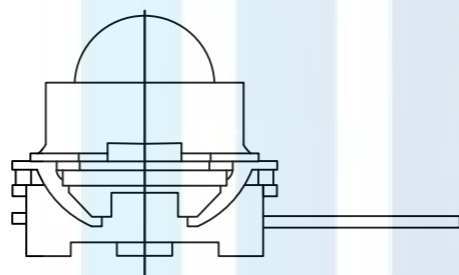


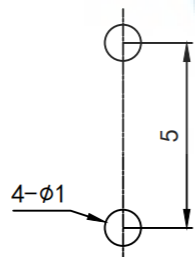
RoHS2.0
Compliant



SCHEMATIC



- 1. Rating: DC12V 50mA.
- 2. Travel: 0.35 ± 0.15 mm
- 3. Operating Force: 180 ± 50 gf
- 4. Contact Resistance: $100m2$ Max
- 5. Life: 100,000 Cycles Min.



P. C. B layout

TOLERANCE			东莞市恒祺电子科技有限公司			
X. XXX	± 0.05		Dongguan Hengqi Electronic Technology Co., Ltd			
X. XX	± 0.15	https://www.hq-dz.com		phone: 15812872448		
X. X	± 0.20	TITLE: 轻触滚珠开关边二脚		PART NO: HQ-TS-F006		
X.	± 0.30			DRAWING NO: 7.2*7.4*6.53		
ANGLE	$\pm 5.0^\circ$	PROTECTON 		DRAWN:		
				DATE:	18-10-08	UNIT: mm
				CHECKED:	DATE:	18-10-08
		APPROVED:	DATE:	18-10-08	SIZE: A4	