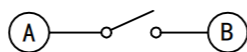
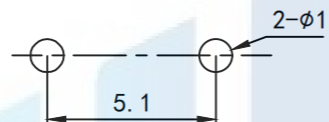
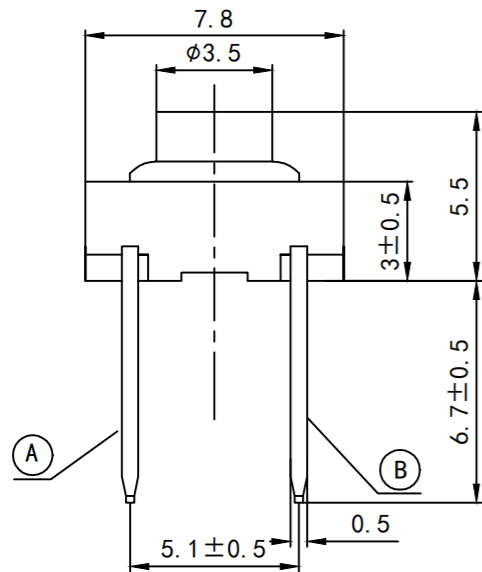


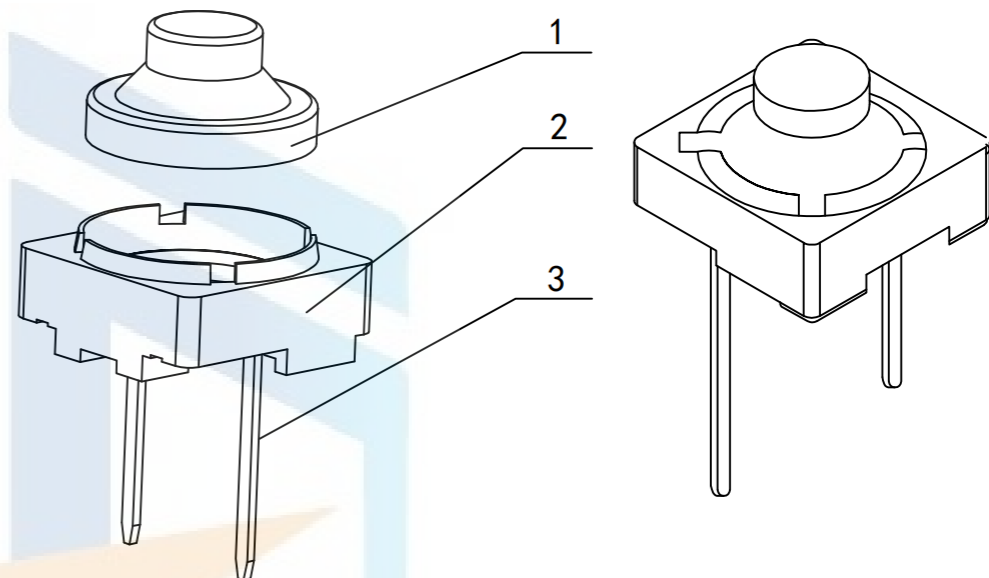
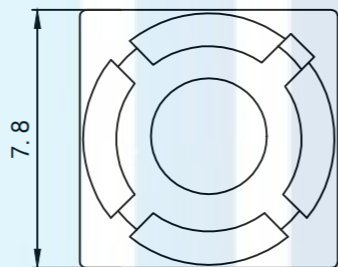
RoHS2.0  
Compliant ✓



SCHMATIC



Recommended P.C.B layout



1. Rating: DC12V 50mA.
2. Operating Force: 150+50gf.
3. Contact Resistance: 2002Max.
4. Life: 50,000 Cycles Min.

TOLERANCE	X. XXX	±0.05		东莞市恒祺电子科技有限公司 Dongguan Hengqi Electronic Technology Co., Ltd	
	X. XX	±0.15		<a href="https://www.hq-dz.com">https://www.hq-dz.com</a>	phone: 15812872448
	X. X	±0.20	TITLE: 轻触开关 硅胶中两脚		PART NO: HQ-TS-F003
	X.	±0.30			DRAWING NO: 7.8*7.8*5.5
	ANGLE	±5.0°			
PROTECTON 	DRAWN:		DATE:	18-10-08	UNIT: mm
	CHECKED:		DATE:	18-10-08	SCALE: FULL
	APPROVED:		DATE:	18-10-08	SIZE: A4