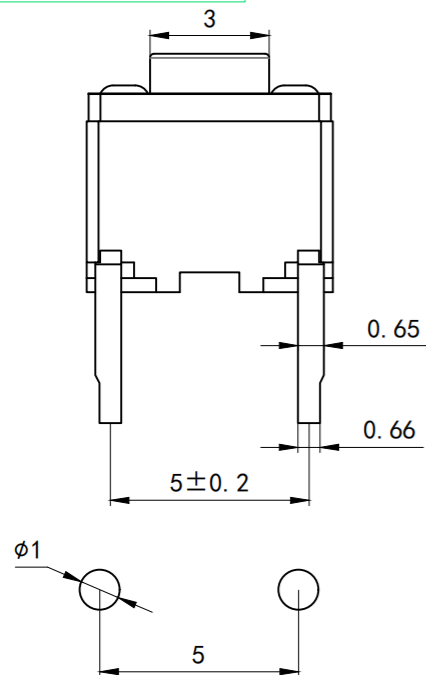
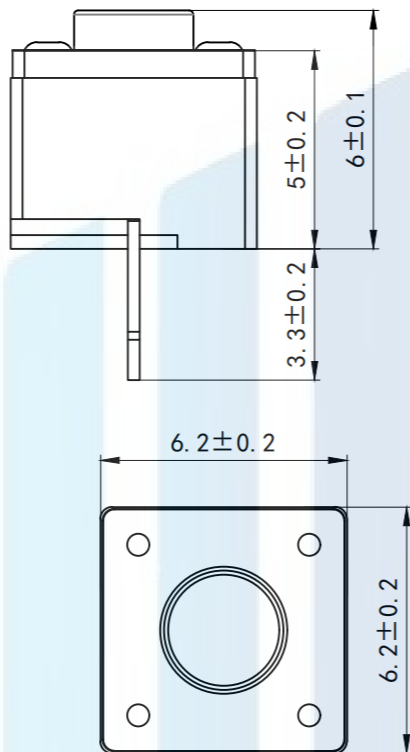


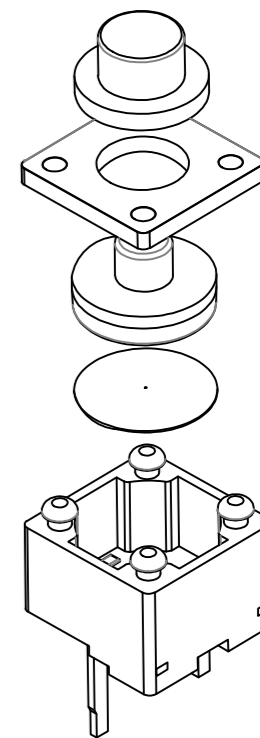
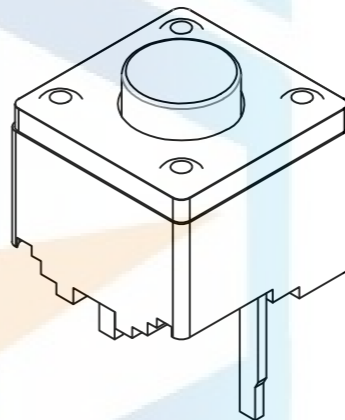
RoHS2.0
Compliant ✓



PCB. 焊接图



电路图



- Main technical specifications:
1. Amount setting: 50mA DC12V
 2. Contact resistance: $\leq 100\text{m}\Omega$
 3. Operation force: $100 \pm 10\text{gf}$
 4. Line length: $0.25 \pm 0.1\text{mm}$
 5. Insulation resistance: $\geq 100\text{M}\Omega$
 6. Electrical strength: 250V 50HZ 1Min.
 7. Life span: 10,000,000 Cycles

TOLERANCE			东莞市恒祺电子科技有限公司		
X. XXX	± 0.05		Dongguan Hengqi Electronic Technology Co., Ltd		
X. XX	± 0.15	https://www.hq-dz.com		phone: 15812872448	
X. X	± 0.20	TITLE: 轻触开关		PART NO: HQ-TS-E012	
X.	± 0.30			DRAWING NO: 6.2*6.2*6	
ANGLE	$\pm 5.0^\circ$				
PROTECTON		DRAWN:	DATE:	18-10-08	UNIT: mm
		CHECKED:	DATE:	18-10-08	SCALE: FULL
		APPROVED:	DATE:	18-10-08	SIZE: A4