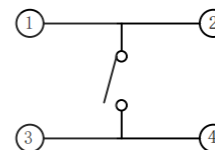
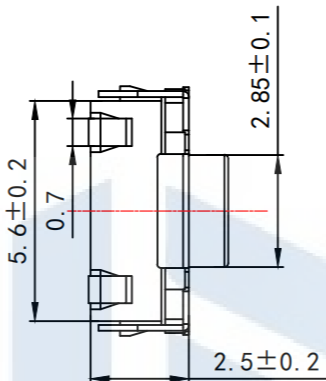
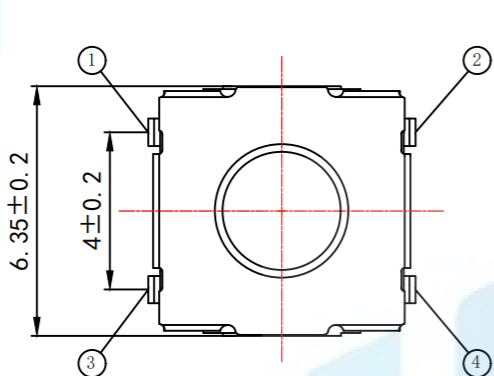
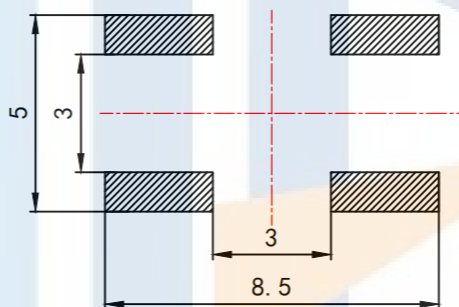
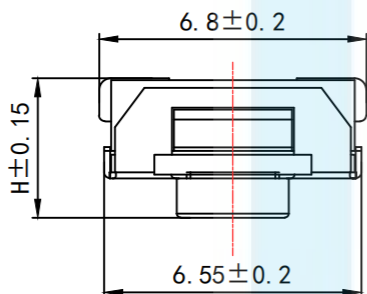
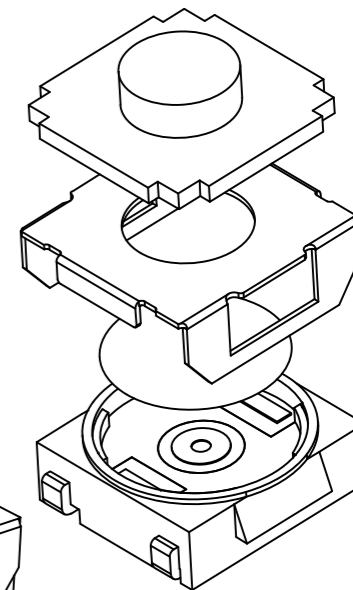


RoHS2.0  
Compliant

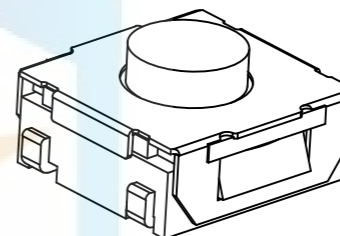
H	
3.1	3.5
3.8	4.3
4.5	4.8
5.2	5.5



电路图



PCB. 焊接图



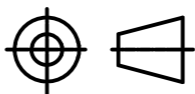
Key Technical Specifications:

1. Rating: 50mA DC12V
2. Contact resistance:  $\leq 50m\Omega$
3. Operating force:  $250 \pm 50gf$
4. Itinerary:  $0.35 \pm 0.1mm$
5. Insulation resistance:  $\geq 100M\Omega$
6. Electrical strength: 250V 50HZ 1Min.
7. life span: 300,000 Cycles

TOLERANCE

X. XXX	$\pm 0.05$
X. XX	$\pm 0.15$
X. X	$\pm 0.20$
X.	$\pm 0.30$
ANGLE	$\pm 5.0^\circ$

PROTECTON



东莞市恒祺电子科技有限公司  
Dongguan Hengqi Electronic Technology Co., Ltd

<https://www.hq-dz.com>

phone: 15812872448

TITLE:

轻触开关 硅胶包脚

PART NO: HQ-TS-E005

DRAWING NO: 6.2\*6.2\*H包脚

DRAWN:

DATE:

18-10-08

UNIT:  
mm

CHECKED:

DATE:

18-10-08

SCALE:  
FULL

APPROVED:

DATE:

18-10-08

SIZE:  
A4