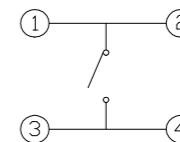
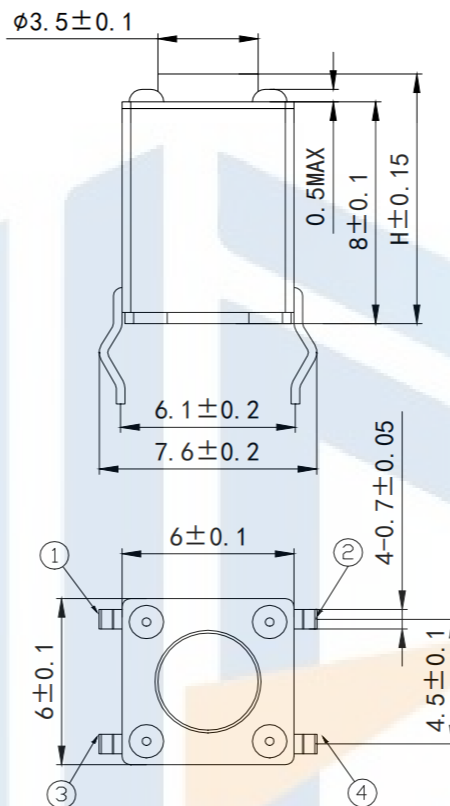
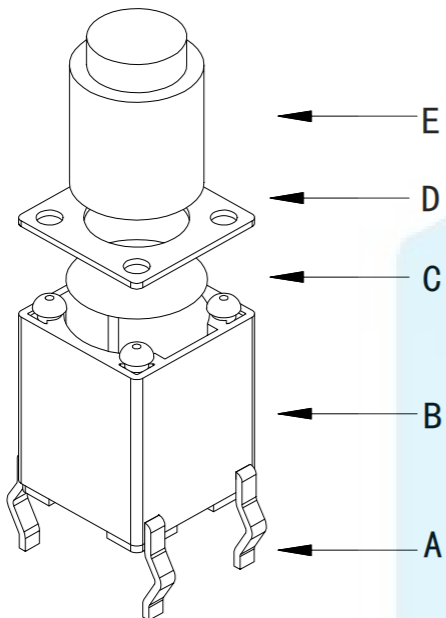
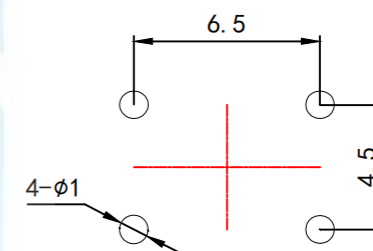


RoHS2.0
Compliant



电路图



PCB. 焊接图

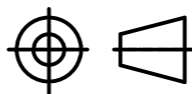
Technical requirements

1. Rate voltage. current: 50mA DC12V
2. Contact resistance: $\leq 100 \text{ m}\Omega$
3. Operating force: $260 \pm 50 \text{ gf}$
4. Travel: $0.25 \pm 0.10 \text{ mm}$
5. Insulated resistance: $\geq 100 \text{ MR}$
6. Dielectric strength: $\geq 250 \text{ VAC/1min}$
7. Endurance: ≥ 100000 次

TOLERANCE

X. XXX	± 0.05
X. XX	± 0.15
X. X	± 0.20
X.	± 0.30
ANGLE	$\pm 5.0^\circ$

PROTECTON



东莞市恒祺电子科技有限公司

Dongguan Hengqi Electronic Technology Co., Ltd

<https://www.hq-dz.com>

phone: 15812872448

TITLE:

轻触开关

PART NO: HQ-TS-D049

DRAWING NO: 6*6*H高基座

DRAWN:

DATE:

18-10-08

UNIT:
mm

CHECKED:

DATE:

18-10-08

SCALE:
FULL

APPROVED:

DATE:

18-10-08

SIZE:
A4