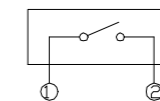
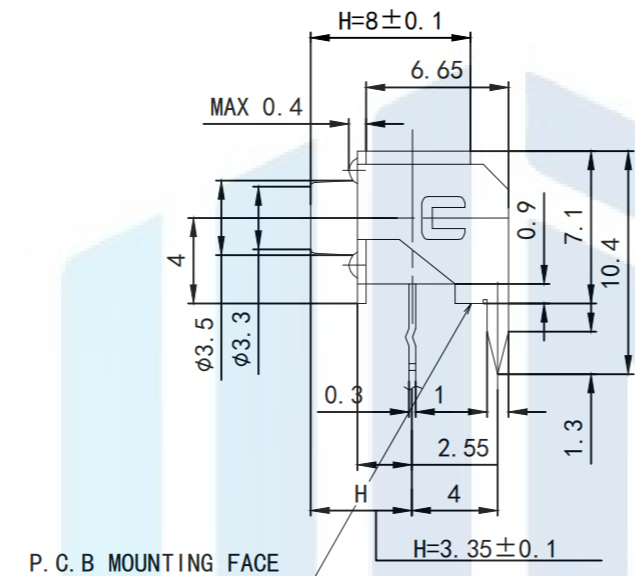
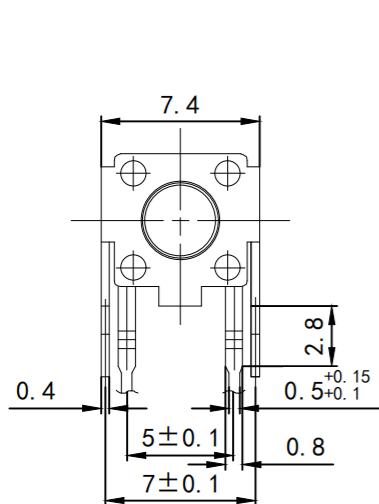
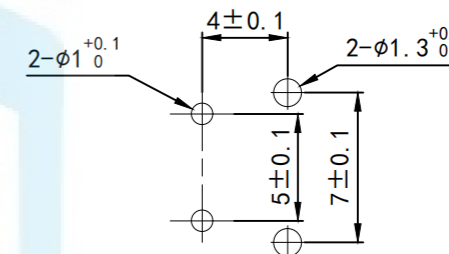


RoHS2.0
Compliant



CIRCUIT DIGRAM



P. C. B MOUNTING HOLE DIMENSION

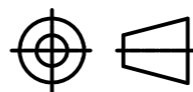
NOTE

1. TRAVEL: $0.25+0.2/-0.1$ mm
2. RATING: DC15V 20mA
3. CONTACT RESISTANCE: $50m\Omega$ MAX
4. GENERAL TOLERANCE: ± 0.3
5. MANUFACTURING SPECIFICATION WOULD BE ACCORDANCE WITH JR 0002LF

TOLERANCE

X. XXX	± 0.05
X. XX	± 0.15
X. X	± 0.20
X.	± 0.30
ANGLE	$\pm 5.0^\circ$

PROTECTON



东莞市恒祺电子科技有限公司
Dongguan Hengqi Electronic Technology Co., Ltd

<https://www.hq-dz.com>

phone: 15812872448

TITLE:

轻触开关

PART NO: HQ-TS-D037

DRAWING NO: 6*6*H

DRAWN:

DATE:

18-10-08

UNIT:
mm

CHECKED:

DATE:

18-10-08

SCALE:
FULL

APPROVED:

DATE:

18-10-08

SIZE:
A4