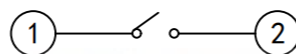
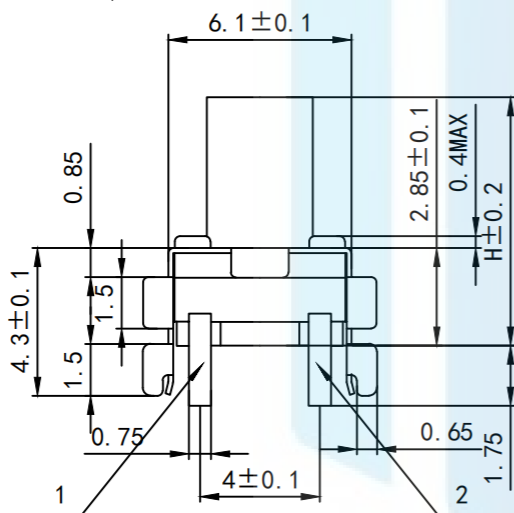
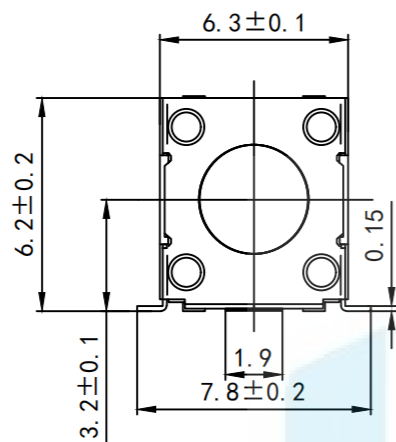
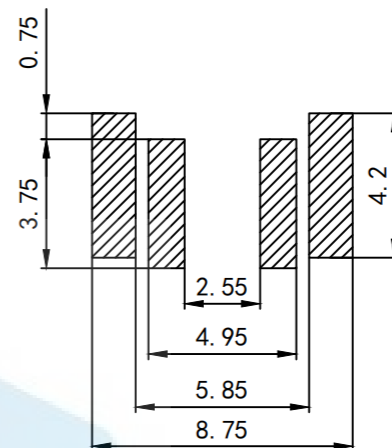


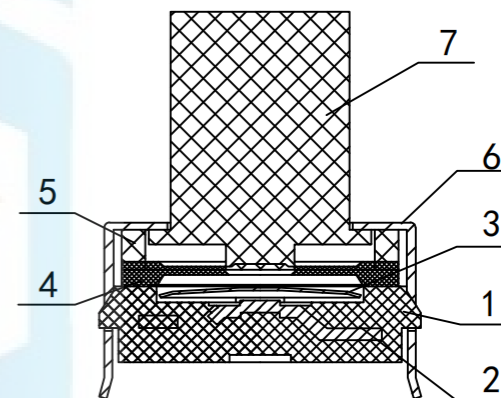
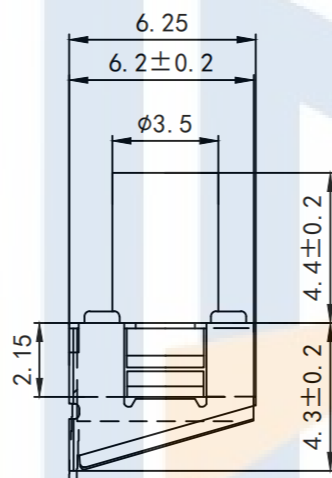
RoHS2.0
Compliant



CIRCUIT DIAGRAM



P. C. B LAND DIMENSION



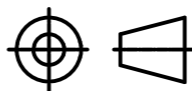
NOTE

1. RATING : DC 12V 50mA
2. CONTACT RESISTANCE : 100mQ MAX
3. GENERAL TOLERANCE : +0.2
4. MANUFACTURING SPECIFICATION

TOLERANCE

X. XXX	±0.05
X. XX	±0.15
X. X	±0.20
X.	±0.30
ANGLE	±5.0°

PROTECTON



东莞市恒祺电子科技有限公司
Dongguan Hengqi Electronic Technology Co., Ltd

<https://www.hq-dz.com>

phone: 15812872448

TITLE:
轻触开关

PART NO: HQ-TS-D031

DRAWING NO: 6*6*H支架全贴

DRAWN:

DATE: 18-10-08

UNIT:
mm

CHECKED:

DATE: 18-10-08

SCALE:
FULL

APPROVED:

DATE: 18-10-08

SIZE:
A4