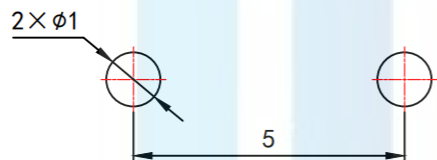
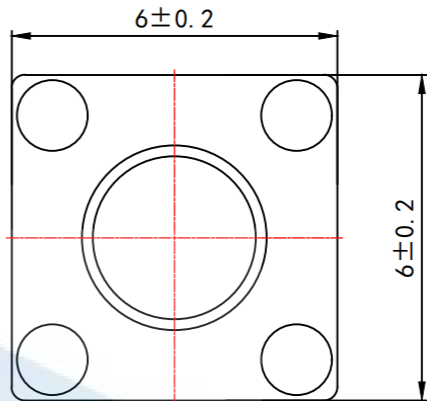
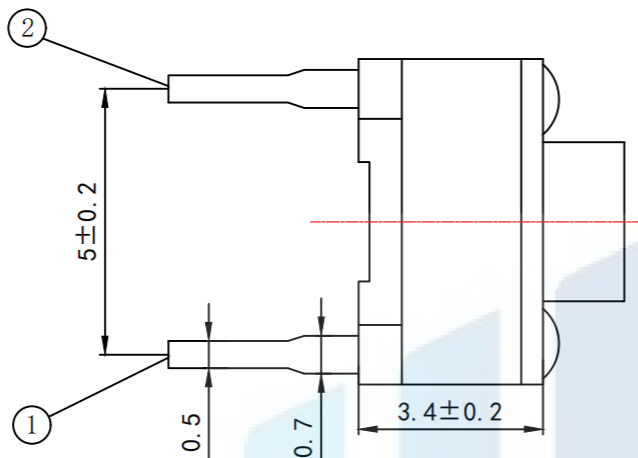
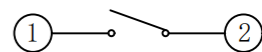
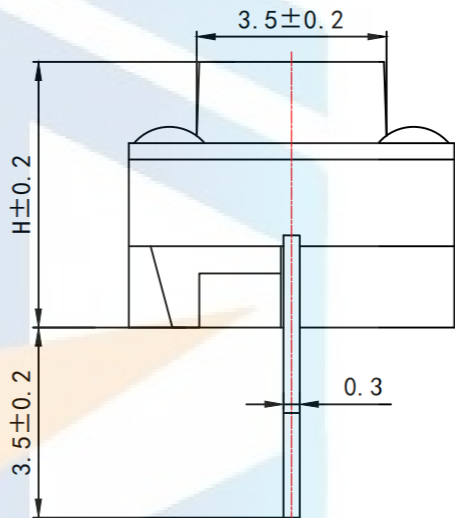


RoHS2.0
Compliant

H	
4.3	4.5
5.0	5.5
6.0	6.5
7.0	7.5
8.0	8.5
9.0	9.5
10.0	



PCB. 焊接图



电路图

Key Technical Specifications:

1. Rating: 50mA DC12V
2. Contact resistance: $\leq 50\text{m}\Omega$
3. Operating force: $250 \pm 40\text{gf}$
4. Itinerary: $0.25 \pm 0.1\text{mm}$
5. Insulation resistance: $\geq 100\text{M}\Omega$
6. Electrical strength: 250V 50HZ 1Min.
7. life span: 100,000 Cycles

TOLERANCE X. XXX ± 0.05 X. XX ± 0.15 X. X ± 0.20 X. ± 0.30 ANGLE $\pm 5.0^\circ$		东莞市恒祺电子科技有限公司 Dongguan Hengqi Electronic Technology Co., Ltd	
		https://www.hq-dz.com phone: 15812872448	
PROTECTON 	TITLE: 轻触开关		PART NO: HQ-TS-D023
	DRAWN:		DRAWING NO: 6*6*H中二脚
	CHECKED:	DATE: 18-10-08	UNIT: mm
APPROVED:	DATE: 18-10-08	SCALE: FULL	
	DATE: 18-10-08	SIZE: A4	