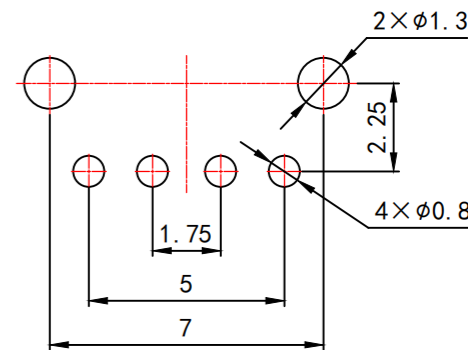
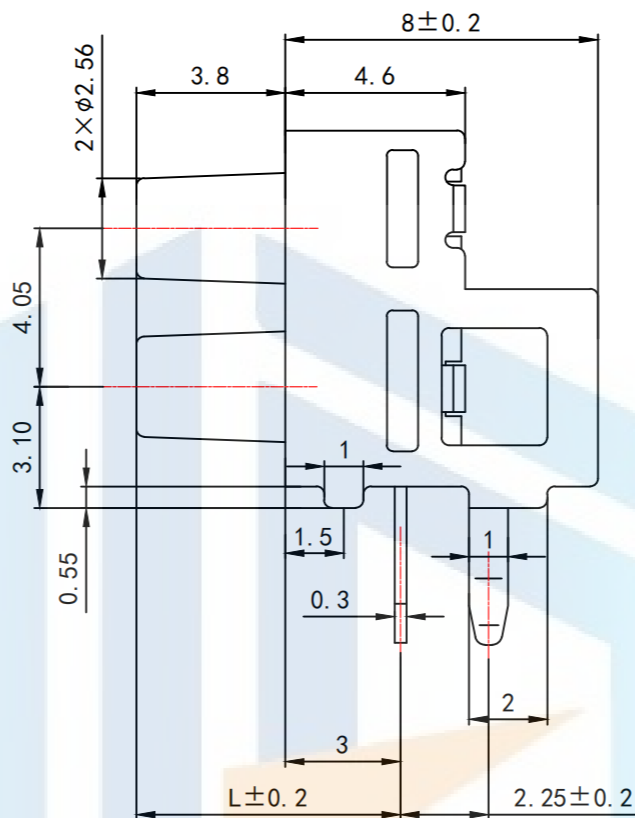
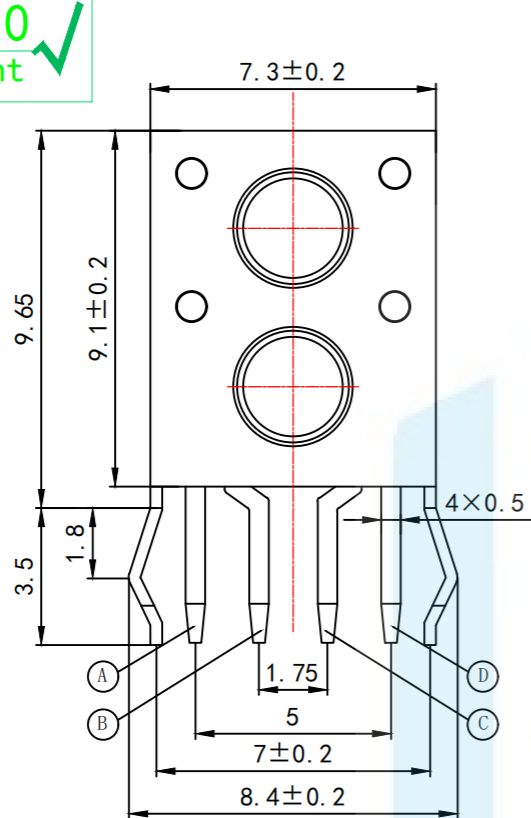
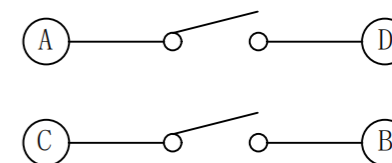


RoHS2.0
Compliant



P.C.B LAND DIMENSION



CIRCUIT DIAGRAM

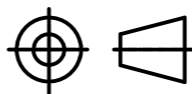
NOTE

1. RATING : DC 12V 50mA
2. Travel : $0.25^{+0.2}_{-0.1}$ mm
3. CONTACT RESISTANCE : 100mΩ MAX
4. GENERAL TOLERANCE : ±0.2
5. MANUFACTURING SPECIFICATION
WOULD BE ACCORDANCE WITH WT0158

TOLERANCE

X. XXX	±0.05
X. XX	±0.15
X. X	±0.20
X.	±0.30
ANGLE	±5.0°

PROTECTON



东莞市恒祺电子科技有限公司

Dongguan Hengqi Electronic Technology Co., Ltd

<https://www.hq-dz.com>

phone:15812872448

TITLE:

轻触开关

PART NO:HQ-TS-D020

DRAWING NO:7.3*9.1*H双连支架

DRAWN:

DATE:

18-10-08

UNIT:
mm

CHECKED:

DATE:

18-10-08

SCALE:
FULL

APPROVED:

DATE:

18-10-08

SIZE:
A4

THDP24-084BB2		6.80 mm	BLACK	BLACK	180±50gf	100,000 Cycles
MODEL NO.	CODE NO.	"L"	STEM COLOR	CASE COLOR	O/FORCE	LIFE