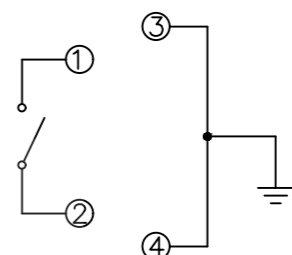
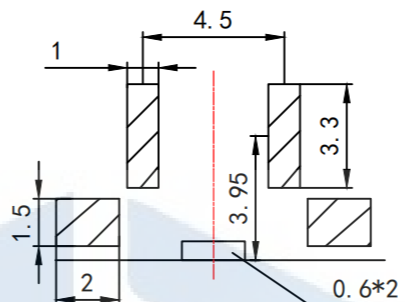
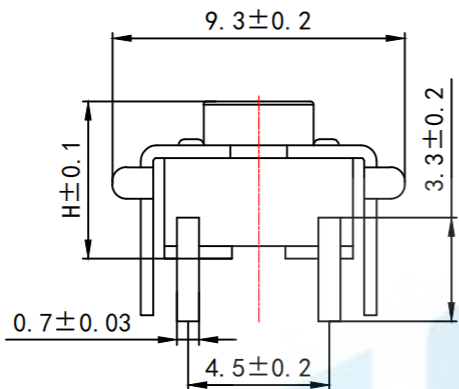


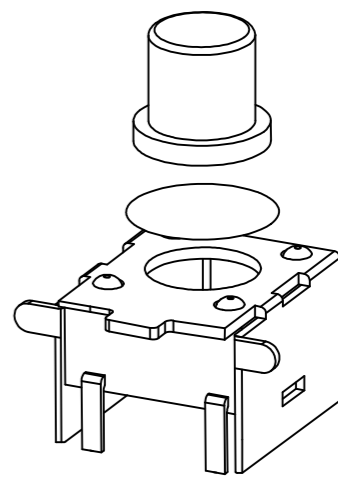
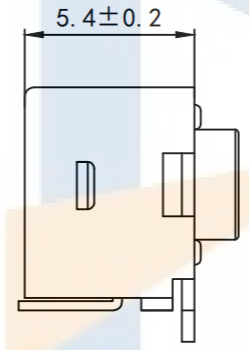
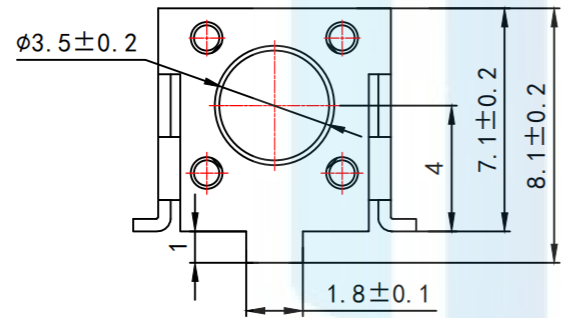
RoHS2.0
Compliant

H	
4.3	4.5
5.0	5.5
6.0	6.5
7.0	



电路图

印制线路板图



- Key Technical Specifications:
1. Rating: 50mA DC12V
 2. Contact resistance: $\leq 100\text{m}\Omega$
 3. Operating force: $250 \pm 40\text{gf}$
 4. Itinerary: $0.25 \pm 0.1\text{mm}$
 5. Insulation resistance: $\geq 100\text{M}\Omega$
 6. Electrical strength: 250V 50HZ 1Min.
 7. life span: 100,000 Cycles

TOLERANCE X. XXX ± 0.05 X. XX ± 0.15 X. X ± 0.20 X. ± 0.30 ANGLE $\pm 5.0^\circ$		东莞市恒祺电子科技有限公司 Dongguan Hengqi Electronic Technology Co., Ltd		
		https://www.hq-dz.com phone: 15812872448		
PROTECTON 	TITLE: 轻触开关		PART NO: HQ-TS-D016	
	DRAWN:		DRAWING NO: 6*6*H贴片支架	
	CHECKED:	DATE: 18-10-08	UNIT: mm	SCALE: FULL
APPROVED:	DATE: 18-10-08	DATE: 18-10-08	SIZE: A4	