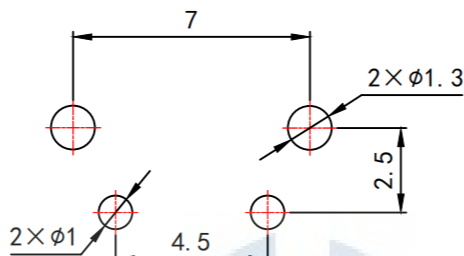
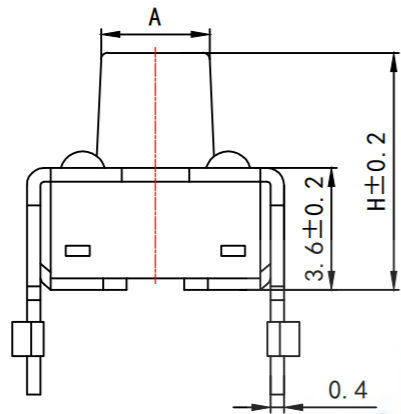
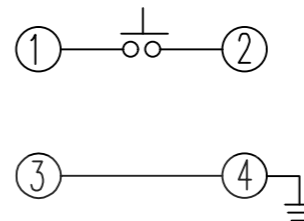


RoHS2.0  
Compliant

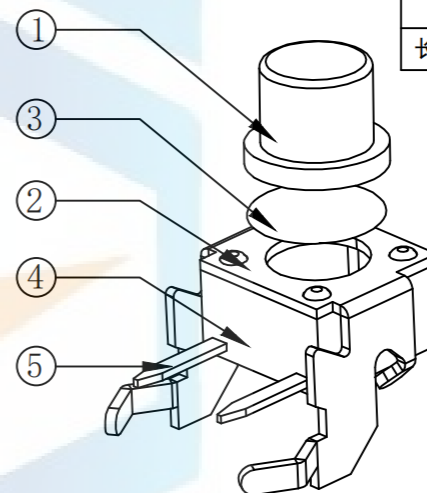
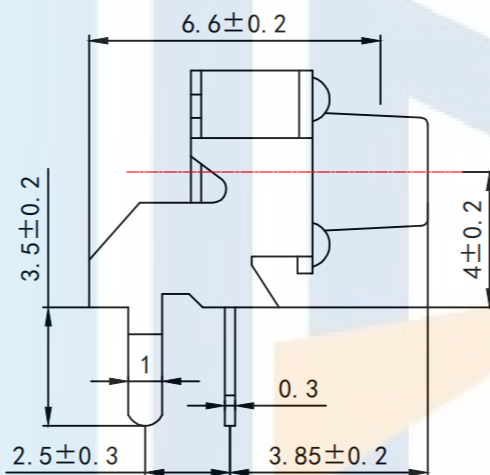
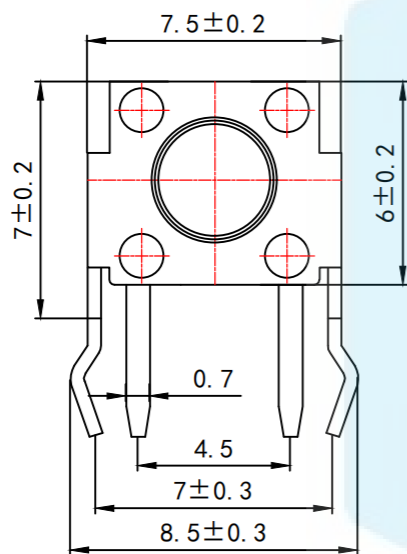


PCB. 安装图



电路图

13.85	15.0	∅3.0
11.85	13.0	∅3.0
8.35	9.5	∅3.1
7.85	9.0	∅3.2
7.35	8.5	∅3.2
6.35	7.5	∅3.3
5.35	6.5	∅3.3
4.85	6.0	∅3.3
3.85	5.0	∅3.5
3.15	4.3	∅3.5
长度L (mm)	高度H (mm)	直径A (mm)



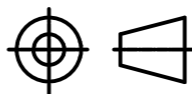
Key Technical Specifications:

1. Rating: 50mA DC12V
2. Contact resistance:  $\leq 50m\Omega$
3. Operating force:  $200 \pm 40gf$
4. Itinerary:  $0.25 \pm 0.1mm$
5. Insulation resistance:  $\geq 100M\Omega$
6. Electrical strength: 250V 50HZ 1Min.
7. life span: 100,000 Cycles

TOLERANCE

X. XXX	$\pm 0.05$
X. XX	$\pm 0.15$
X. X	$\pm 0.20$
X.	$\pm 0.30$
ANGLE	$\pm 5.0^\circ$

PROTECTON



东莞市恒祺电子科技有限公司

Dongguan Hengqi Electronic Technology Co., Ltd

<https://www.hq-dz.com>

phone: 15812872448

TITLE:

轻触开关

PART NO: HQ-TS-D014

DRAWING NO: 6\*6\*H半支架

DRAWN:

DATE:

18-10-08

UNIT:  
mm

CHECKED:

DATE:

18-10-08

SCALE:  
FULL

APPROVED:

DATE:

18-10-08

SIZE:  
A4